



INTERCON
FURNITURE FOR LIFE

ASSEMBLY INSTRUCTIONS

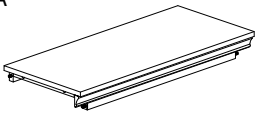
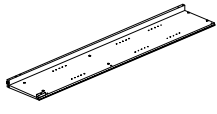
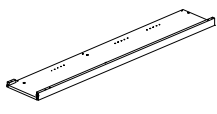
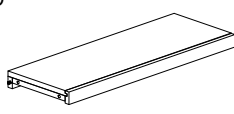
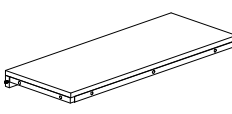
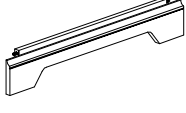
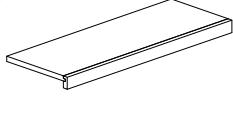
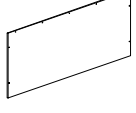

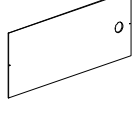




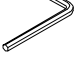





DESCRIPTION : 72" BUNCHING BOOKCASE

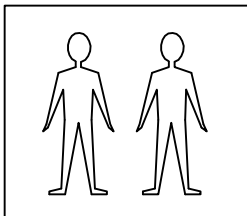
ITEM NO : SM-HO-7232B-GRY-C

SM-HO-7232B-TUS-C

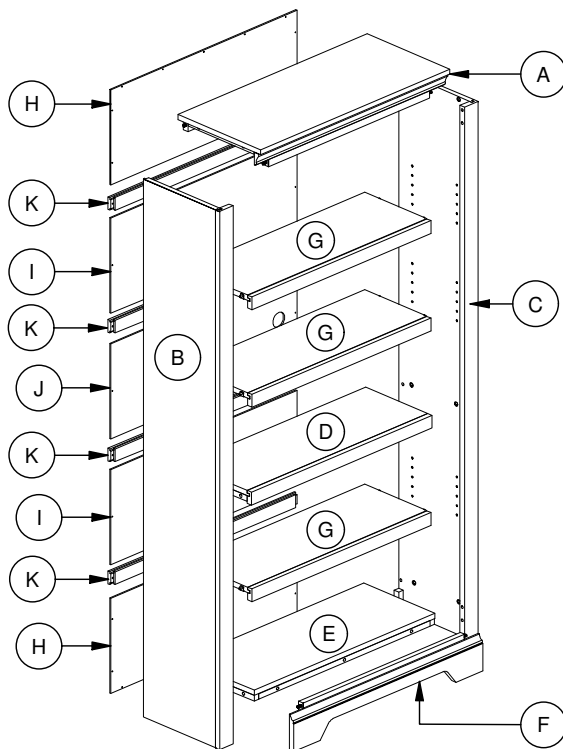
SM-HO-7232B-RWH-C

Thank you for purchasing this quality product. Be sure to check all packing material carefully for small parts that may have come loose inside the carton during shipment. Identify and count all parts and compare with the parts list below. Please keep all hardware out of reach of small children.

 A TOP 1 PC	 B SIDE PANEL / LEFT 1 PC	 C SIDE PANEL / RIGHT 1 PC	 D STATIONARY SHELF 1 PC	 E BOTTOM SHELF 1 PC
 F BOTTOM APRON 1 PC	 G ADJUSTABLE SHELF 3 PCS	 H BACK PANEL A 2 PCS	 I BACK PANEL B 2 PCS	 J BACK PANEL C 1 PC
 K BACK SUPPORT RAIL 4 PCS	 1 JCBC SCREW M6 x 35mm 15 PCS	 2 SPRING WASHER M6 15 PC	 3 FLAT WASHER M8 x 16mm 15 PC	 4 ALLEN KEY M4 1 PC
 5 ADJUSTABLE LEVELLER M6 x 24mm 2 PCS	 6 SHELF BRACKET 12 PCS	 7 PAN HEAD SCREW M4 x 25mm 8 PCS	 8 PAN HEAD SCREW M3.5 x 16mm 36 PCS	 9 TIPPING RESTRAINT KIT 2 SETS



Two persons are required for assembly



ASSEMBLY TIPS:

1. Remove hardware from box and sort by size.
2. Please check to see that all hardware and parts are present prior start of assembly.
3. Please follow attached instructions in the same sequence as numbered to assure fast and easy assembly.

⚠ WARNING!

1. Don't attempt to repair or modify parts that are broken or defective. Please contact the store immediately.
2. This product is for home use only and not intended for commercial establishments.



INTERCON
FURNITURE FOR LIFE

ASSEMBLY INSTRUCTIONS

DESCRIPTION : 72" BUNCHING BOOKCASE

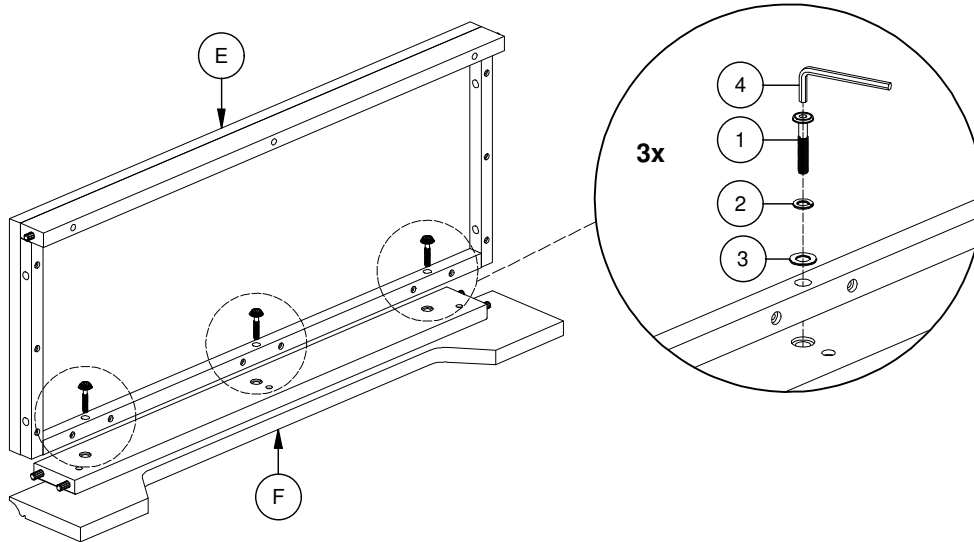
ITEM NO : SM-HO-7232B-GRY-C

SM-HO-7232B-TUS-C

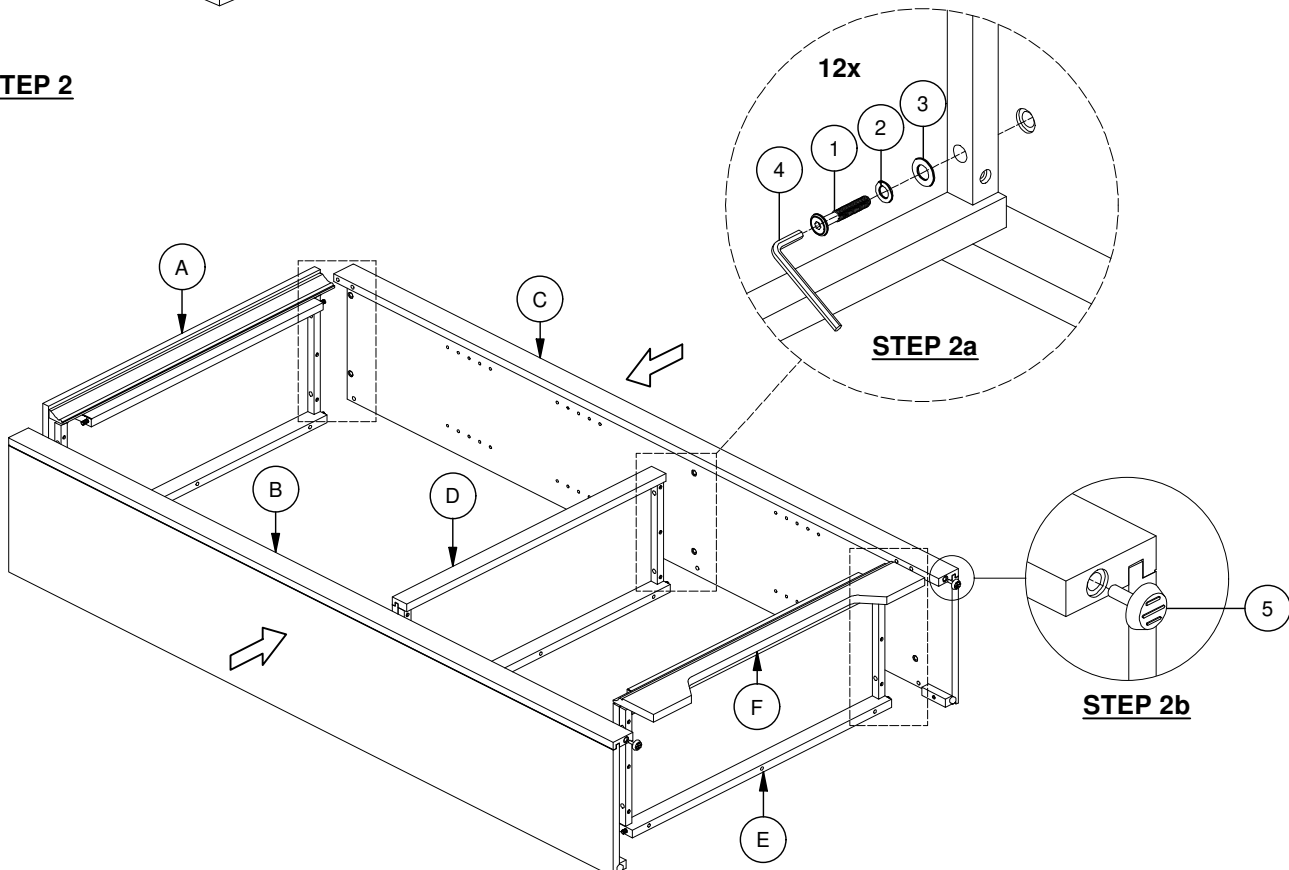
SM-HO-7232B-RWH-C

Thank you for purchasing this quality product. Be sure to check all packing material carefully for small parts that may have come loose inside the carton during shipment. Identify and count all parts and compare with the parts list below. Please keep all hardware out of reach of small children.

STEP 1



STEP 2



ASSEMBLY TIPS:

1. Remove hardware from box and sort by size.
2. Please check to see that all hardware and parts are present prior start of assembly.
3. Please follow attached instructions in the same sequence as numbered to assure fast and easy assembly.

⚠ WARNING!

1. Don't attempt to repair or modify parts that are broken or defective. Please contact the store immediately.
2. This product is for home use only and not intended for commercial establishments.



INTERCON
FURNITURE FOR LIFE

ASSEMBLY INSTRUCTIONS

DESCRIPTION : 72" BUNCHING BOOKCASE

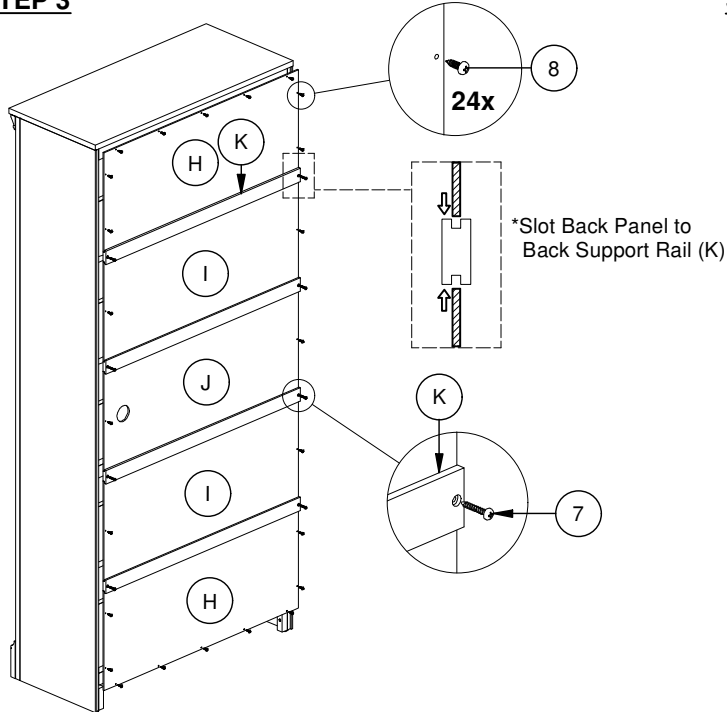
ITEM NO : SM-HO-7232B-GRY-C

SM-HO-7232B-TUS-C

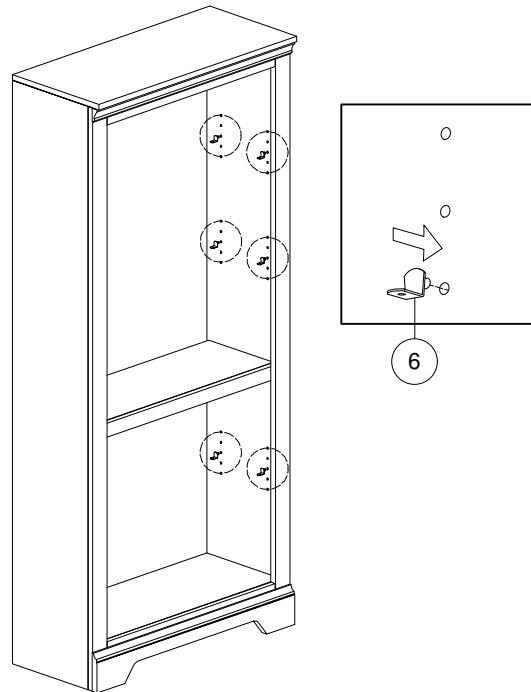
SM-HO-7232B-RWH-C

Thank you for purchasing this quality product. Be sure to check all packing material carefully for small parts that may have come loose inside the carton during shipment. Identify and count all parts and compare with the parts list below. Please keep all hardware out of reach of small children.

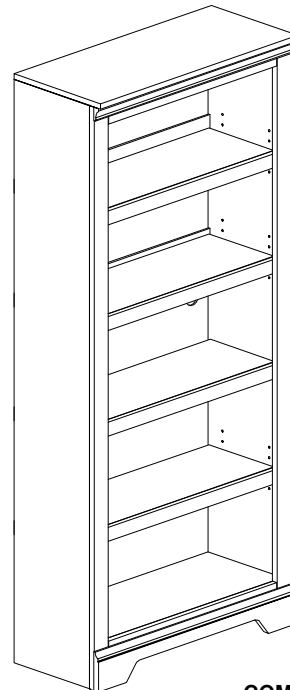
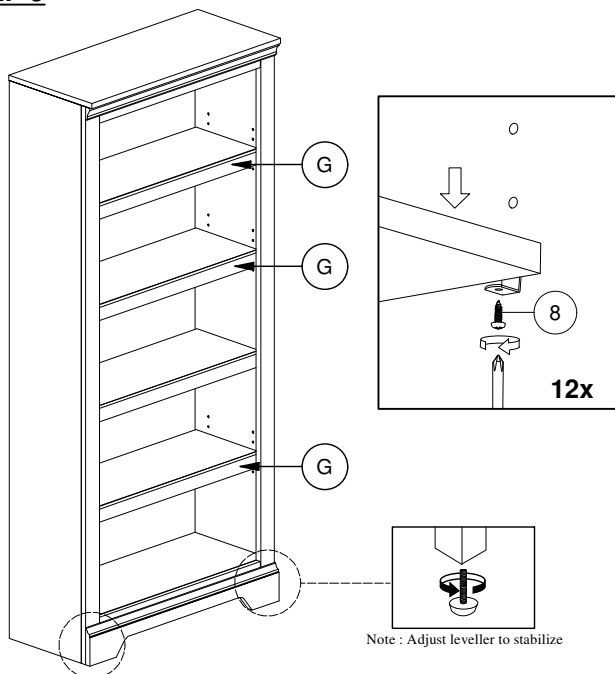
STEP 3



STEP 4



STEP 5



NOTE

Tipping restraint hardware kit is included with this product. Refer to installation instruction in the hardware pack.

COMPLETE ASSEMBLE

ASSEMBLY TIPS:

1. Remove hardware from box and sort by size.
2. Please check to see that all hardware and parts are present prior start of assembly.
3. Please follow attached instructions in the same sequence as numbered to assure fast and easy assembly.

WARNING!

1. Don't attempt to repair or modify parts that are broken or defective. Please contact the store immediately.
2. This product is for home use only and not intended for commercial establishments.