













INTERCON
FURNITURE FOR LIFE

ASSEMBLY INSTRUCTION

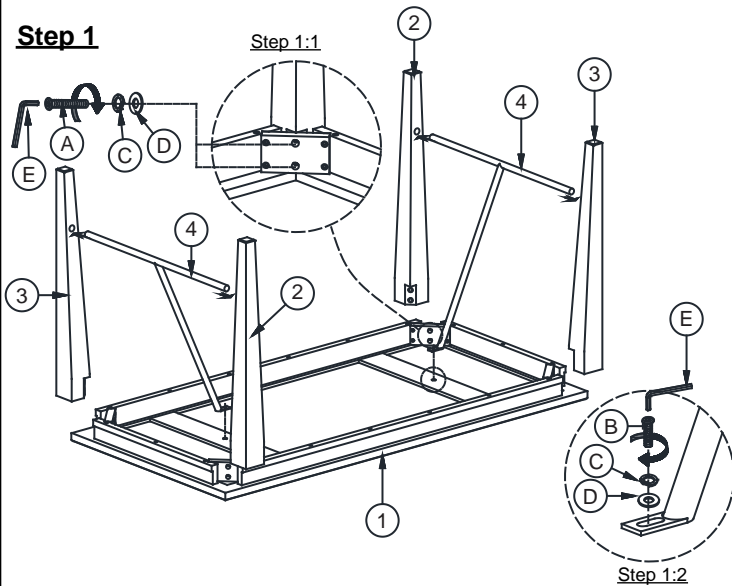
DESCRIPTION: 60" Writing Desk

ITEM NO: PN-HO-6031WD-WVO-C

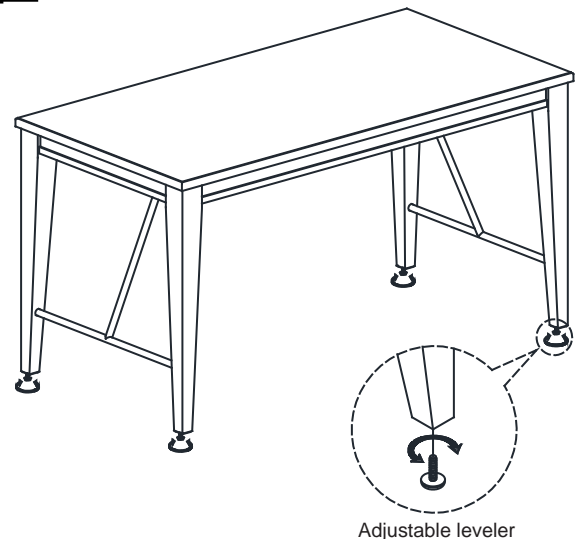
Thank you for purchasing this quality product. Be sure to check all packing material carefully for small parts which may have come loose inside the carton during shipment. Identify and count all parts and compare with the parts list below. Please keep all hardware out of reach of small children.

1  Table Top 1 PC	2  Table Legs- Left 2 Pcs	3  Table Legs- Right 2 Pcs	4  Metal Stretcher 2 Pcs	5  KD Legs 2 Pcs			
A  Allen Bolt 5/16" x 50mm 8 Pcs	B  Allen Bolt 1/4" x 20mm 2 Pcs	C  Spring Washer 5/16" x 12mm 10 Pcs	D  Flat Washer 5/16" x 19mm 10 Pcs	E  Allen Key 1 PC			

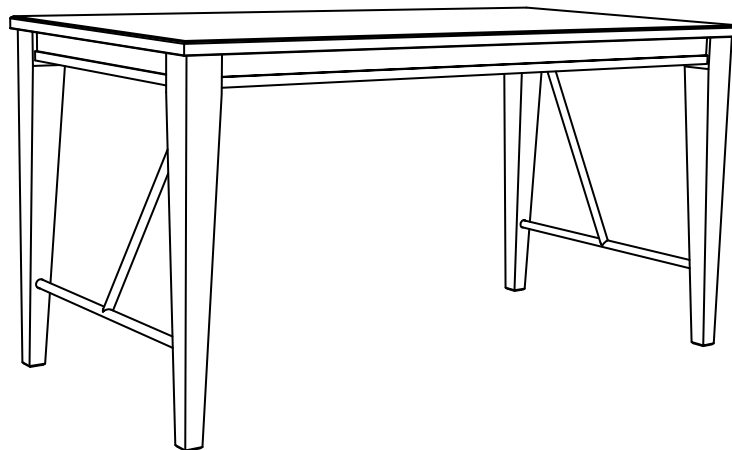
Step 1



Step 2



Step 3



Complete Assemble

ASSEMBLY TIPS:

1. Remove hardware from box and sort by size.
2. Please check to see that all hardware and parts are present prior start of assembly.
3. Please follow attached instructions in the same sequence as numbered to assure fast and easy assembly.

⚠ WARNING!

1. Don't attempt to repair or modify parts that are broken or defective. Please contact the store immediately.
2. This product is for home use only and not intended for commercial establishments.



INTERCON
FURNITURE FOR LIFE

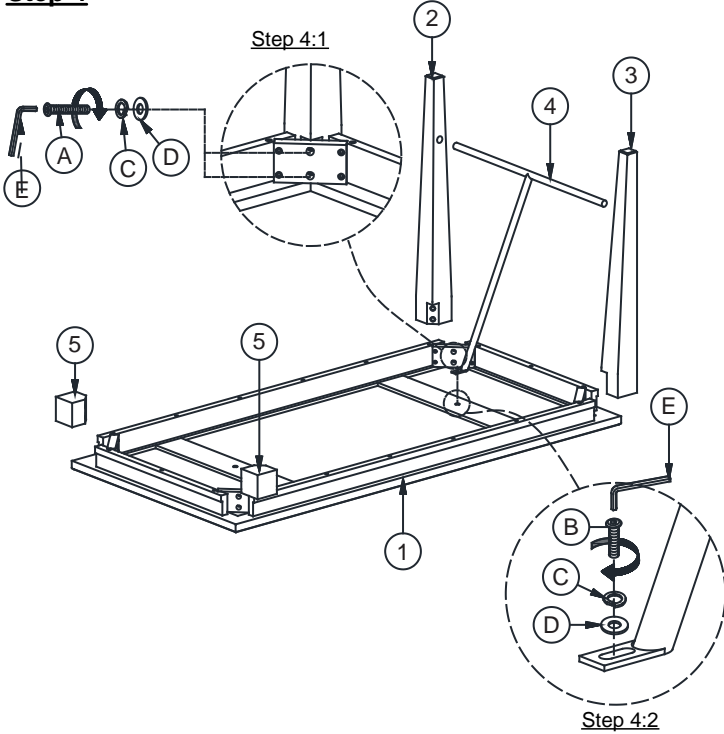
ASSEMBLY INSTRUCTION

DESCRIPTION: 60" Writing Desk

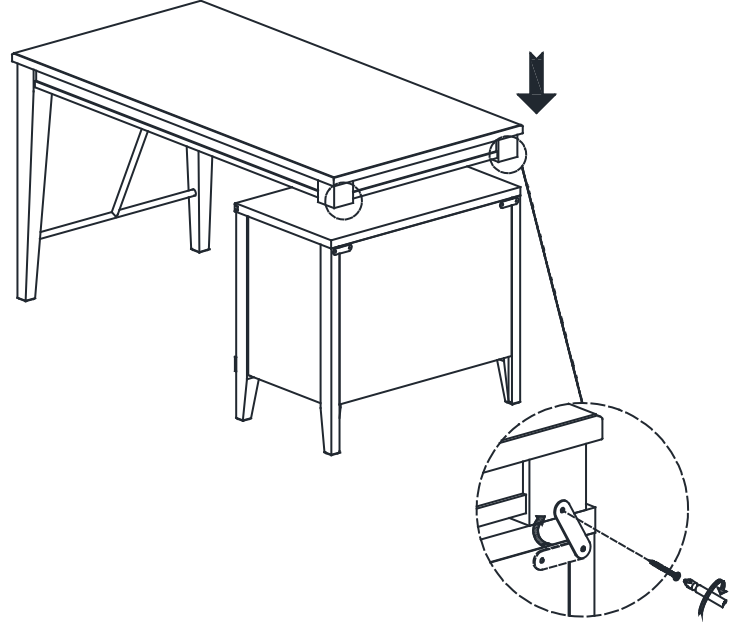
ITEM NO: PN-HO-6031WD-WVO-C

Thank you for purchasing this quality product. Be sure to check all packing material carefully for small parts which may have come loose inside the carton during shipment. Identify and count all parts and compare with the parts list below. Please keep all hardware out of reach of small children.

Step 4

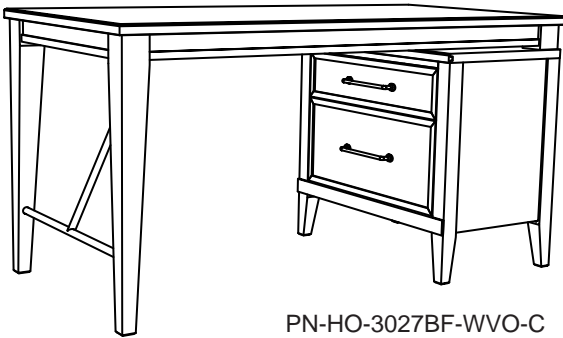


Step 5



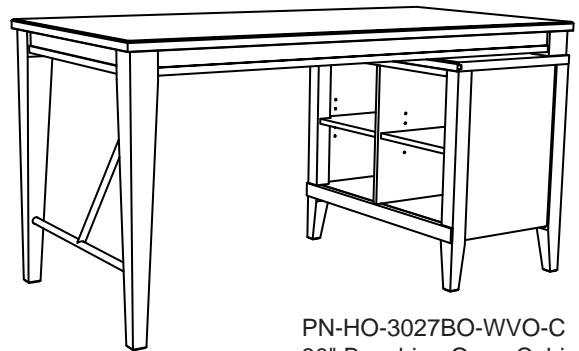
Step 6

PN-HO-6031WD-WVO-C
60" Writing Desk



PN-HO-3027BF-WVO-C
30" Bunching File Cabinet

PN-HO-6031WD-WVO-C
60" Writing Desk



PN-HO-3027BO-WVO-C
30" Bunching Open Cabinet

Complete Assemble

ASSEMBLY TIPS:

1. Remove hardware from box and sort by size.
2. Please check to see that all hardware and parts are present prior start of assembly.
3. Please follow attached instructions in the same sequence as numbered to assure fast and easy assembly.

⚠ WARNING!

1. Don't attempt to repair or modify parts that are broken or defective. Please contact the store immediately.
2. This product is for home use only and not intended for commercial establishments.