



INTERCON
FURNITURE FOR LIFE


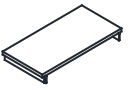


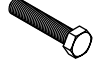
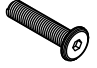



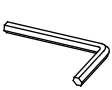

ASSEMBLY INSTRUCTION

DESCRIPTION: 40x76-96, Trestle Counter Table

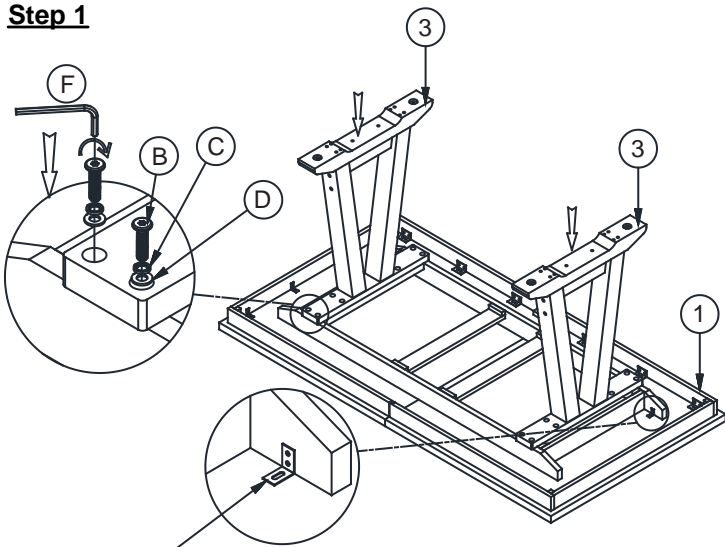
ITEM NO: TR-TA-4096G-DWS-TOP

TR-TA-4096G-DWS-BSE

Thank you for purchasing this quality product. Be sure to check all packing material carefully for small parts which may have come loose inside the carton during shipment. Identify and count all parts and compare with the parts list below. Please keep all hardware out of reach of small children.

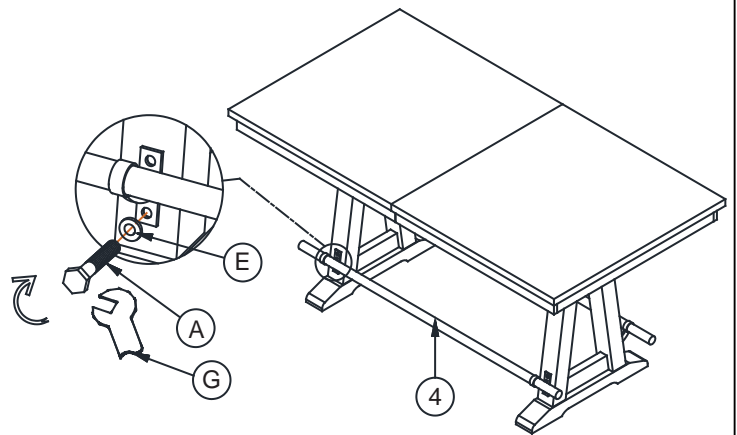
1  Table Top 1 PC	2  Leaf Top 1 PC	3  Leg Frame 2 Pcs	4  Metal Stretcher 2 Pcs				
A  Hex Com Screw M10 x 40mm 8 Pcs	B  JCBB Bolt M8 x 40mm 16 Pcs	C  Spring Washer 8 x 12mm 16 Pcs	D  Flat Washer 8 x 16mm 16 Pcs	E  Flat Washer 10 x 23mm 8 Pcs	F  Allen Key 1 PC	G  Spanner 1 PC	

Step 1

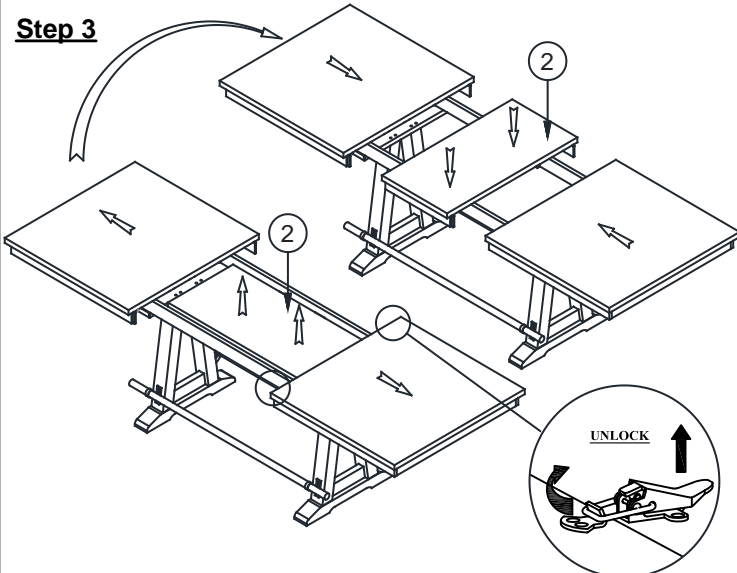


Remove Before Use

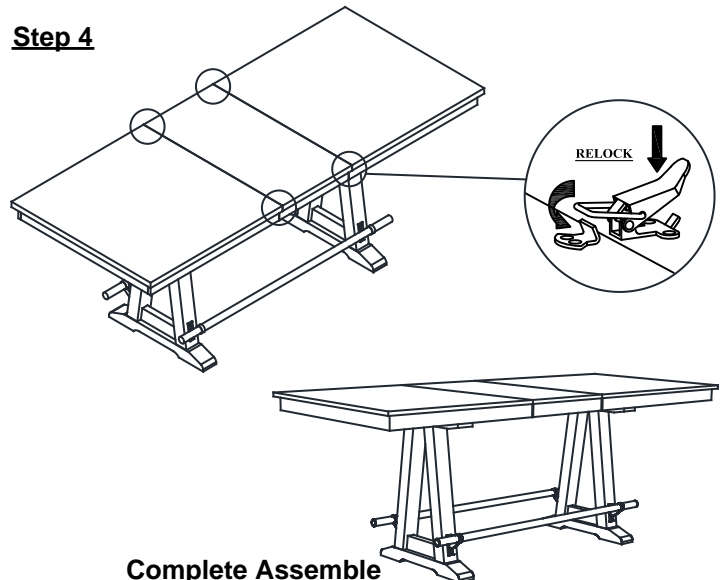
Step 2



Step 3



Step 4



Complete Assemble

ASSEMBLY TIPS:

1. Remove hardware from box and sort by size.
2. Please check to see that all hardware and parts are present prior start of assembly.
3. Please follow attached instructions in the same sequence as numbered to assure fast and easy assembly.

⚠ WARNING!

1. Don't attempt to repair or modify parts that are broken or defective. Please contact the store immediately.
2. This product is for home use only and not intended for commercial establishments.