

TABLE ASSEMBLY INSTRUCTION

MI-TA-4260-RFO-BSE, TOP / MNDT-4260B, T-PPB DINING TABLE

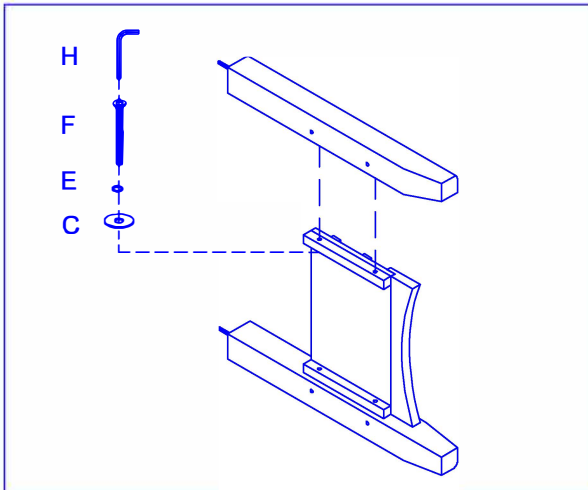
Thank you for purchasing this quality product. Be sure to check all packing material carefully for small parts which may have come loose inside the carton during shipment. Identify and count all parts and compare with the Parts List below.

****Assemble the table on flat, soft surface such as carpet or cloth to prevent scratching table finish. Read all the instruction and study the drawings carefully before starting the assemble process.**

Caution : Wipe up spills as soon as possible. Please wipe with dry rag right away.

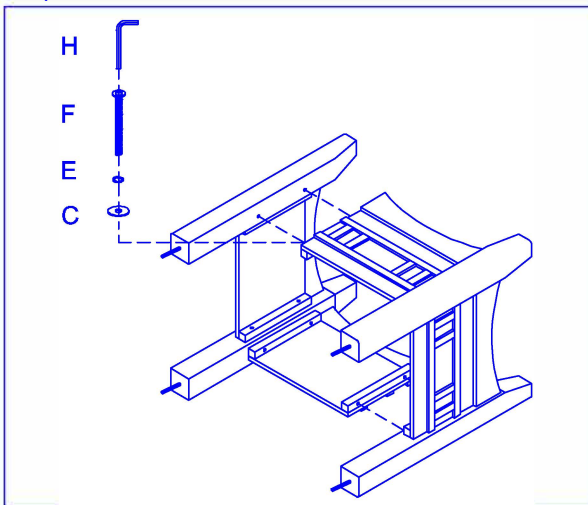
REMARKS : KEEP ALL HARDWARE OUT OF REACH OF SMALL CHILDREN

Step 1.

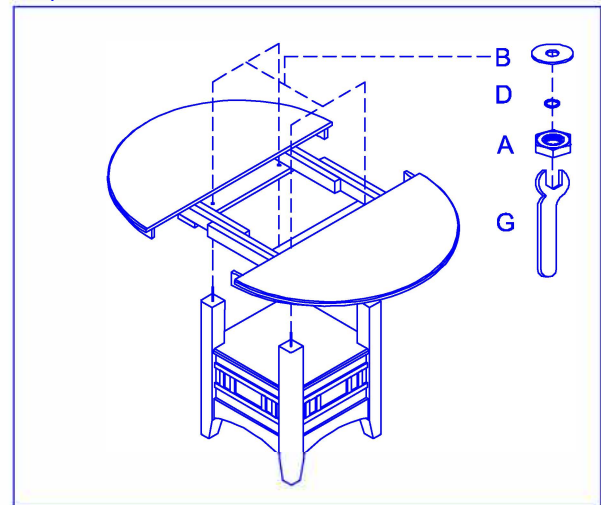


HARDWARE LIST			
NO	DESCRIPTION		QTY
A	5/16" X 12MM NUT		4PCS
B	WASHER(BIG) 5/16		4PCS
C	WASHER(SMALL) 1/4		16PCS
D	LOCK WASHER(BIG) 5/16		4PCS
E	LOCK WASHER SMALL) 1/4		16PCS
F	1/4" X 40MM ALLEN SCREW		16PCS
G	WRENCH		1PC
H	ALLEN KEY		1PC

Step 2.



Step 4.



Step 3.

