

ASSEMBLY INSTRUCTION








MI-CH-850C-RFO-RTA / CCRA-760-S SIDE CHAIR

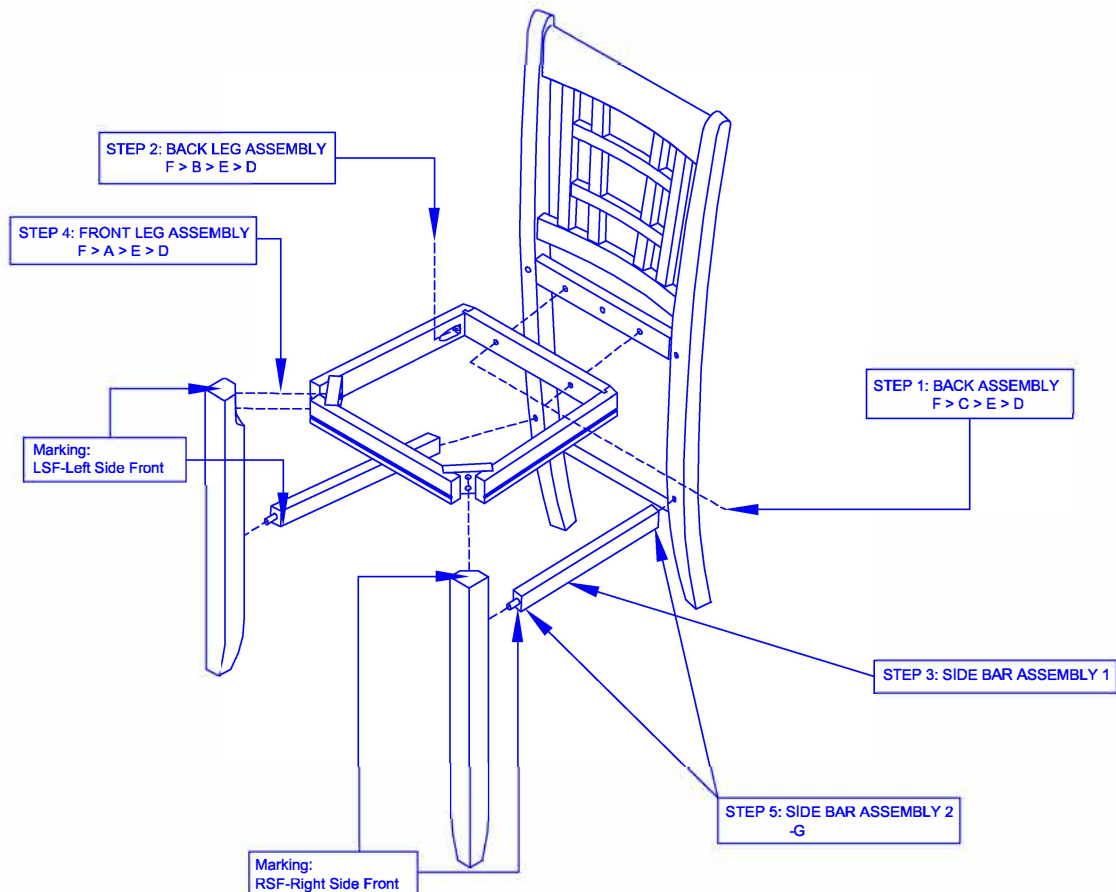
Thank you for purchasing this quality product. Be sure to check all packing material carefully for small parts which may come loose inside the carton during shipment.

Identify and count all parts.

NOTE: ASSEMBLE THE CHAIR ON A FLAT & SOFT SURFACE. DO NOT TIGHTEN ALL THE SCREWS UNTIL THE CHAIR HAS BEEN PUT A FLAT /HARD SURFACE ADJUST & LEVEL ALL THE LEGS SO THAT THEY DO NOT WOBBLE. ONCE ADJUSTED THEN TIGHTEN ALL THE SCREWS.

REMARKS : KEEP ALL HARDWARE OUT OF REACH OF SMALL CHILDREN

HARDWARE LIST			
NO	DESCRIPTION	QTY	
A	1/4 X 63MM JCBC BOLT	4PCS	
B	1/4 X 50MM JCBC BOLT	2PCS	
C	1/4 X 38MM JCBC BOLT	2PCS	
D	SPRING WASHER 1/4	8PCS	
E	WASHER 1/4	8PCS	
F	ALLEN KEY	1PC	
G	#8 X 1 1/4" WOODEN SCREW	4PCS	



NOTE: TO ENSURE CHAIR DURABLE AND LONG LASTING, PLEASE CHECK ENTIRE CHAIR PART WHETHER IT'S IN SAFE AND ORDINARY CONDITIONS.