



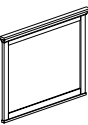
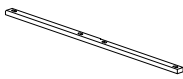
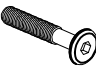



INTERCON
FURNITURE FOR LIFE

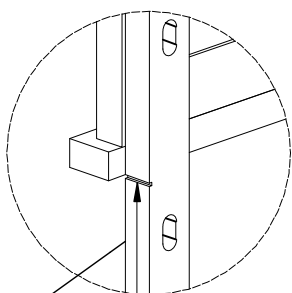
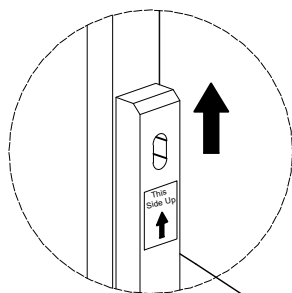
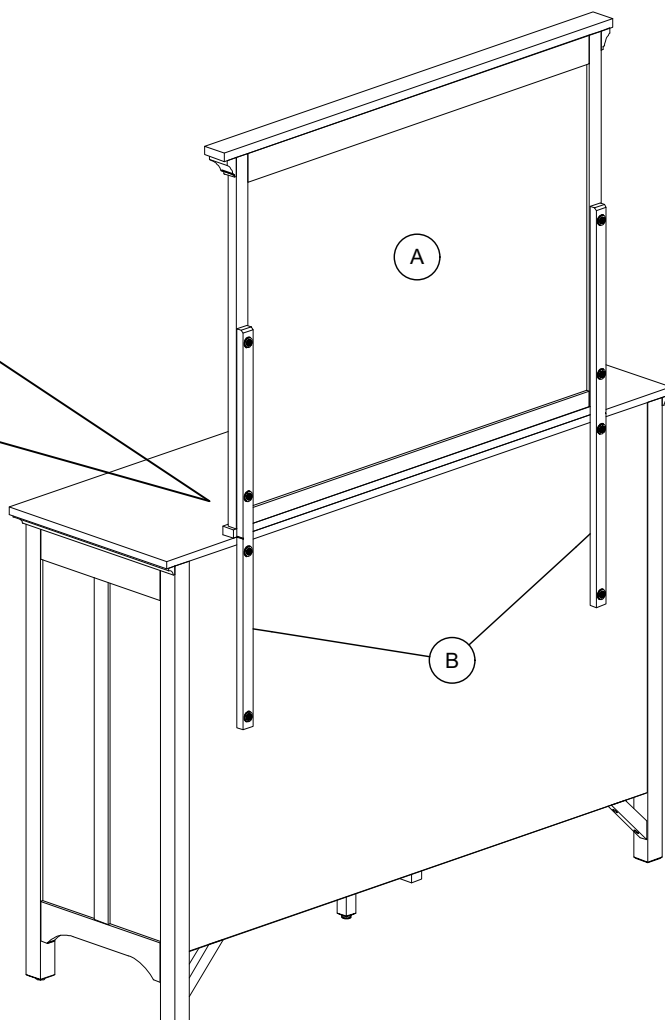
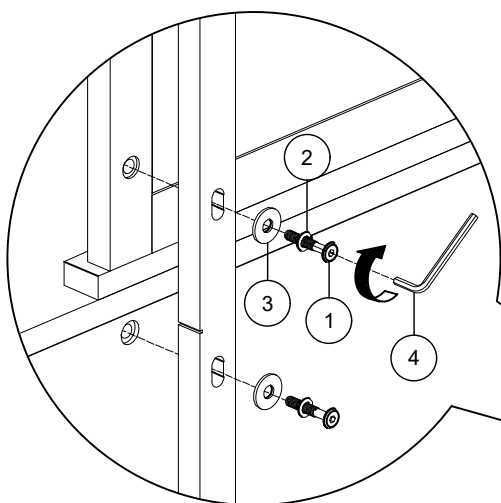
ASSEMBLY INSTRUCTIONS

DESCRIPTION : MIRROR

ITEM NO : HW-BR-5391-BCL-C

Thank you for purchasing this quality product. Be sure to check all packing material carefully for small parts that may have come loose inside the carton during shipment. Identify and count all parts and compare with the parts list below. Please keep all hardware out of reach of small children.

<p>A</p>  <p>MIRROR 1 PC</p>	<p>B</p>  <p>MIRROR SUPPORT RAIL 2 PCS</p>				
<p>1</p>  <p>JCBC SCREW M6 x 35mm 8 PCS</p>	<p>2</p>  <p>SPRING WASHER M6 8 PCS</p>	<p>3</p>  <p>FLAT WASHER 5/16" x 22mm 8 PCS</p>	<p>4</p>  <p>ALLEN KEY M4 1 PC</p>		



MARKING LINE

REMARKS:

- Bevel area of mirror support rail must face upward.
- Mirror support rail marking line must align with bottom of mirror.

ASSEMBLY TIPS:

1. Remove hardware from box and sort by size.
2. Please check to see that all hardware and parts are present prior start of assembly.
3. Please follow attached instructions in the same sequence as numbered to assure fast and easy assembly.

⚠ WARNING!

1. Don't attempt to repair or modify parts that are broken or defective. Please contact the store immediately.
2. This product is for home use only and not intended for commercial establishments.