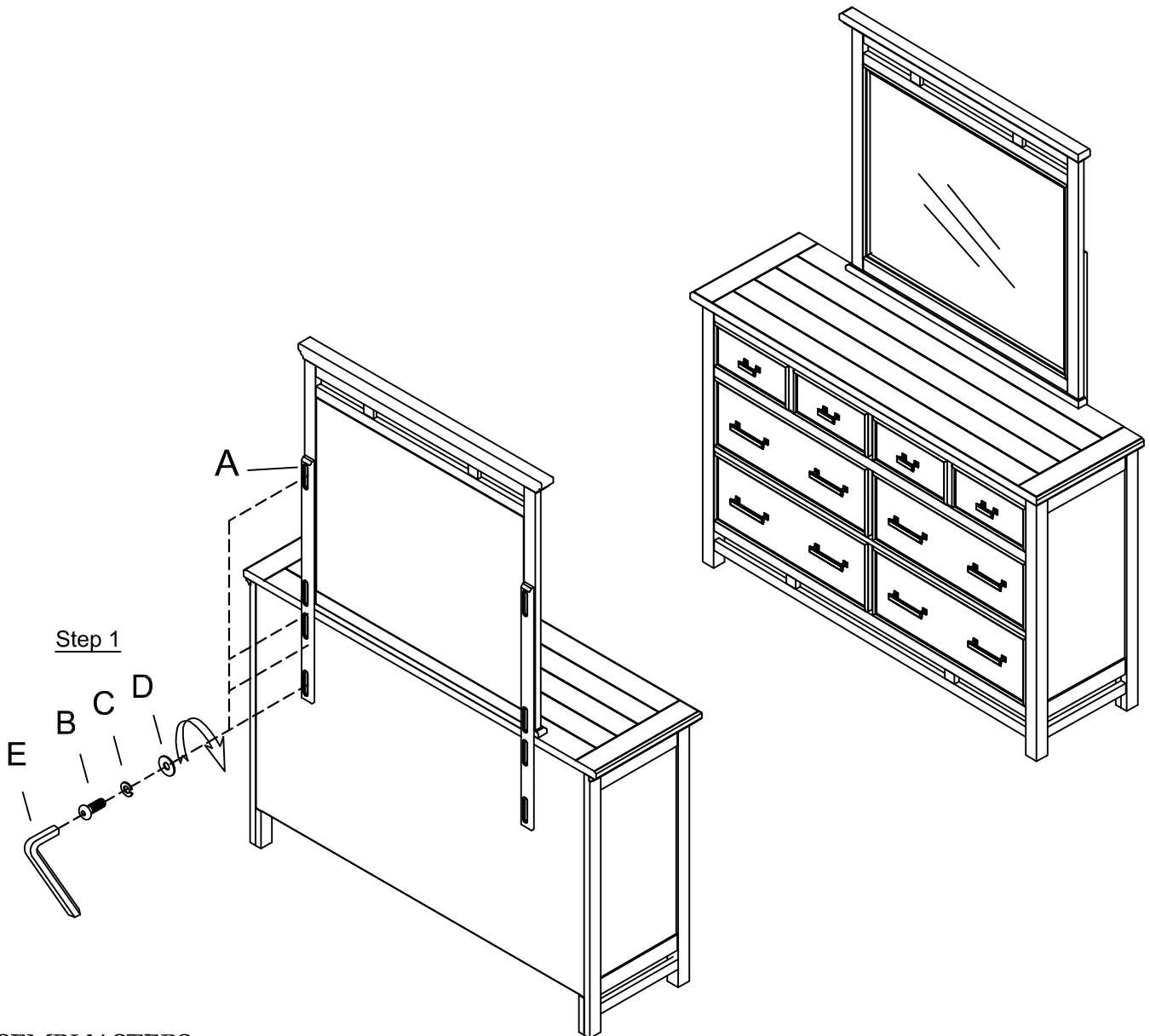


ASSEMBLY INSTRUCTIONS

ITEM NO. : MIRROR

Thank you for purchasing this quality product. Be sure to check all packing material carefully for small parts, which may have come loose inside the carton during shipment. Identify and count all parts and compare with the parts List below.



ASSEMBLY STEPS :

1. Place the Mirror face down on a clean and soft surface. Attach the wood Support (A) to the back of the Mirror using the Flat Washers (D), Spring Washers (C) and Bolts (B). Tighten with the Allen Wrench (E), see detail A.

2. After moving the Dresser to near it's final location in the room, carefully position the Mirror on the back edge of the Dresser top and attach using the same washers and bolts as in previous step. Tighten with the Allen Wrench.

PARTS LIST

PARTS LIST				
A		Wood Support		2 PCS
B		Bolt	φ1/4"x1 1/4"	8 PCS
C		Spring Washer	φ1/4"	8 PCS
D		Flat Washer	φ1/4"xφ19mm	8 PCS
E		Allen Key	φ1/4"	1 PC