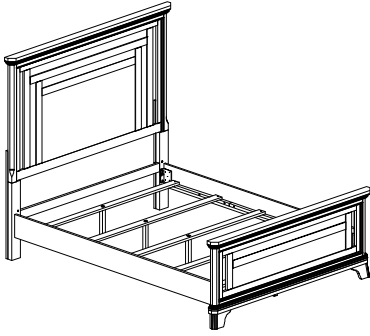


ASSEMBLY INSTRUCTION

Item No : TU-BR-5285Q-VOK-FB & RS

Description : QUEEN PANEL FOOTBOARD & SIDE RAIL



IMPORTANT NOTE :

- Place all wooden parts on a clean and smooth surface such as a rug or carpet to avoid the parts from being scratched.
- Check to be sure that you have all parts and hardware.
- Remove all wrapping materials, including staples & packing straps before you start to assemble.
- Do not tighten all screws / bolts until all completely assembled.
- Keep all hardware parts out of reach of children.

HEADBOARD & FOOTBOARD

PART LIST		
NO	DESCRIPTION	QTY/PCS
1	HEADBOARD	1 PC
2	FOOTBOARD	1 PC

HARDWARE LIST		
NO	DESCRIPTION	QTY/PCS
A	JCBB SCREW M8 x 25	8 PCS
B	SPRING WASHER M8	8 PCS
C	FLAT WASHER M8	8 PCS
D	ALLEN KEY M5	1 PC
E	CSK SCREW M4 x 32	10 PCS

SIDE RAIL

PART LIST		
NO	DESCRIPTION	QTY/PCS
3	SIDE RAIL	2 PCS
4	SLAT	5 PCS
5	CENTER LEG	5 PCS

NOTE : YOU WILL ALSO NEED A PHILIP SCREW DRIVER (NOT PROVIDED)

