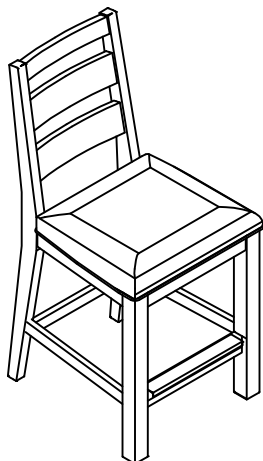
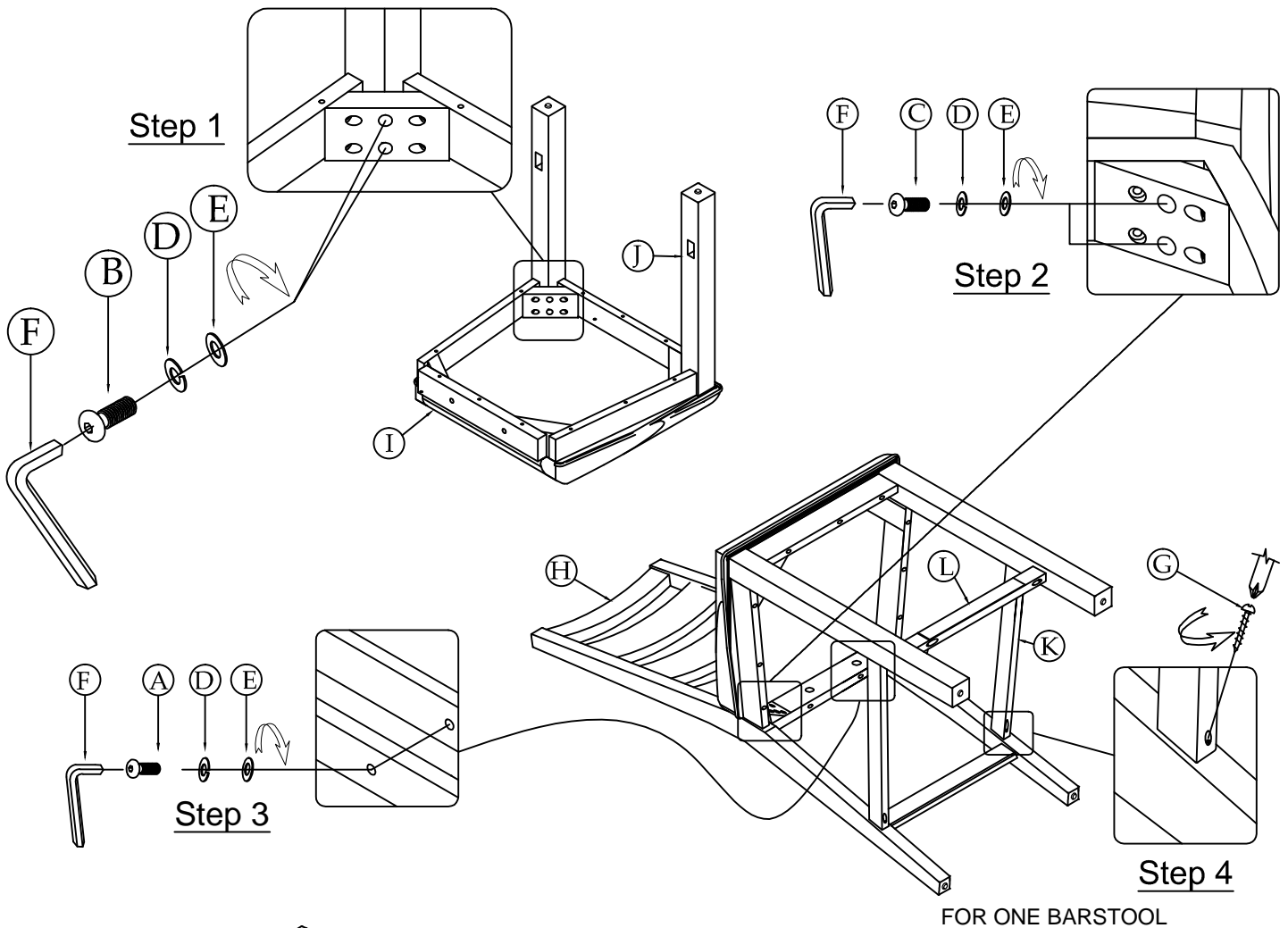


# ASSEMBLY INSTRUCTIONS

ITEM: TS-BS-489C-CYB-K24  
LADDER BACK BARSTOOL W/CUSHION SEAT

Thank you for purchasing this quality product. Be sure to check all packing material carefully for small parts, which may have come loose inside the carton during shipment. Identify and count all parts and compare with the parts List below.



Do not tighten screws until completely assembled.

Made in Vietnam

## HARDWARE & PARTS LIST

ITEM	DRAWING	DESCRIPTION		Q'TY
A		Bolt	ø5/16x1-1/2"	2 PCS
B		Bolt	ø5/16x2"	4 PCS
C		Bolt	ø5/16x3"	4 PCS
D		Spring Washer	5/16"	10 PCS
E		Flat Washer	5/16"X19mmX2mm	10PCS
F		Allen Wrench	5MM	1 PC
G		Wood Screw	ø8x1-1/2"	6 PCS
H		Chair Back		1 PC
I		Seat Frame		1 PC
J		Legs		2 PCS
K		Side stretcher		2 PC
L		Center stretcher		1 PC