






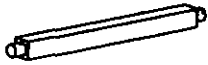


ASSEMBLY INSTRUCTIONS

SN-BS-35L-BCR-K24

Thank you for purchasing this product. It has been designed for assembly and constructed for durability. Please take the time to read and follow the assembly instruction.

HARDWARE CHECK LIST			
ITEM	PART NAME	DIMENSION	QTY
A	BIG FLAT WASHER 	8*20*2	8
B	BIG LOCK WASHER 	8 m/m	8
C	HEXAGON NUT 	5/16" *13	8
D	WRENCH 	13 m/m	1
E	SCREW 	38m/m	8

PARTS CHECK LIST		
ITEM	PART NAME	QTY
1		1
2		4
3		4

NOTE :

- * Be sure to check all packing material carefull for small parts
- * Keep all hardware parts out of reach of children.
- * Assemble the chair on a clean and smooth surface such as carpet to avoid the parts from being scratched.

