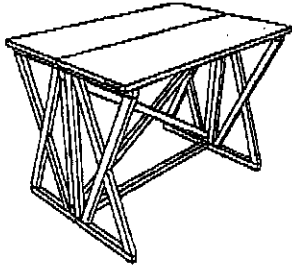


ASSEMBLY INSTRUCTION

FOR
SN-TA-4832F-BCR-C

Description : BREAKFAST BAR TABLE



IMPORTANT NOTE :

- Place all wooden parts on a clean and smooth surface such as a rug or carpet to avoid the parts from being scratched.
- Check to be sure that you have all parts and hardware.
- Remove all wrapping materials, including staples & packing straps before you start to assemble.
- Do not tighten all screws / bolts until all completely assembled.
- Keep all hardware parts out of reach of children.

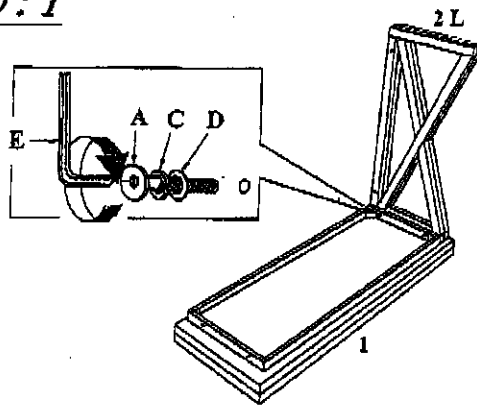
COMPONENT LIST

NO	DESCRIPTION	QTY
1	TABLE TOP	1 PC
2	TABLE LEG L & R	2 SET
3	CENTER CROSS SUPPORT	2 PCS
4	STRETCHER	1 PC

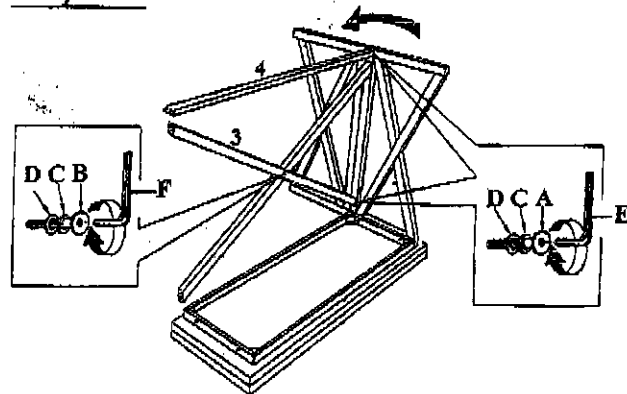
HARDWARE LIST

NO	DESCRIPTION	QTY
A	JCBC SCREW M6 x 40	10 PCS
B	JCBC SCREW M6 x 25	1 PC
C	SPRING WASHER 1/4"	11 PCS
D	FLAT WASHER 1/4" x 13mm	11 PCS
E	ALLEN KEY (short)	1 PC

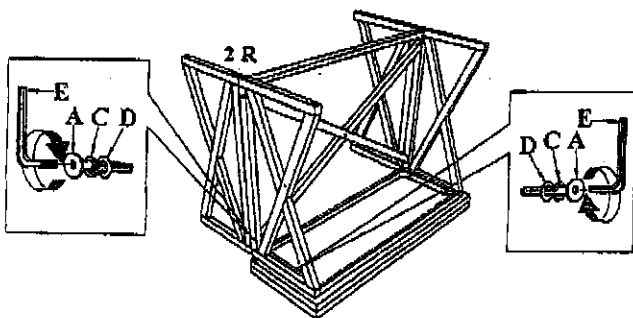
Step : 1



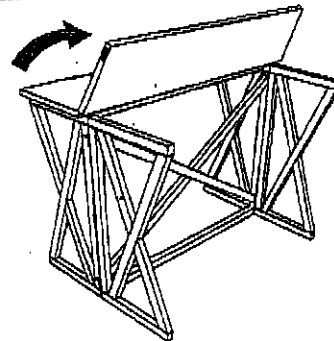
Step : 2



Step : 3



Step : 4



MADE IN MALAYSIA