

ASSEMBLY INSTRUCTIONS

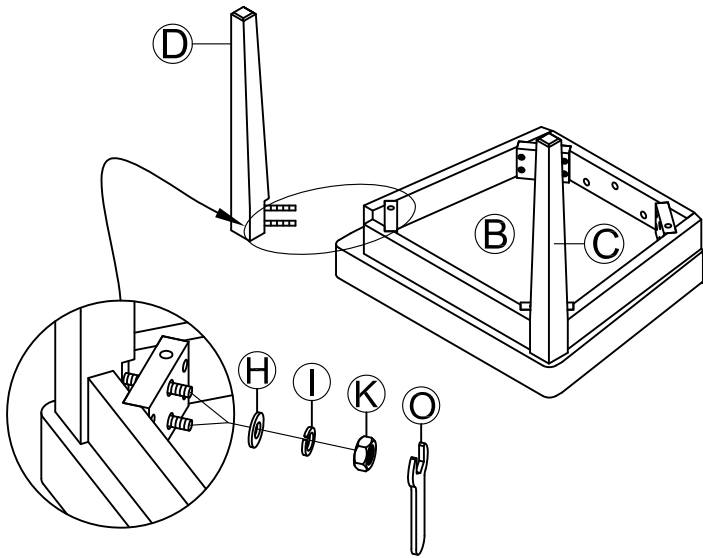
ITEM NO: ST-CH-280C-BDY-RTA

UPHOLSTERED BACK SIDE CHAIR

Thank you for purchasing this quality product. Be sure to check all packing material carefully for small parts that may have come loose inside the carton during shipment.

Please keep all hardware out of reach of small children

STEP 1



TOOL NOT INCLUDE IN HARDWARE

Phillips Screwdriver



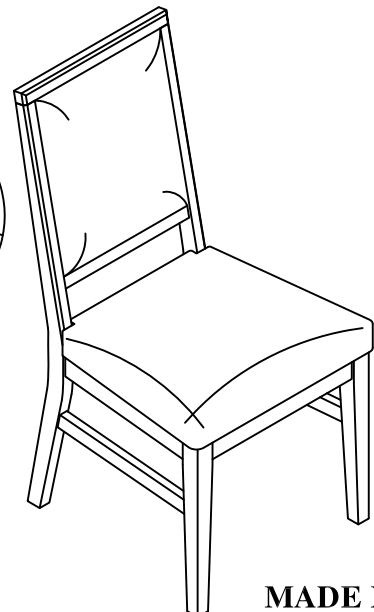
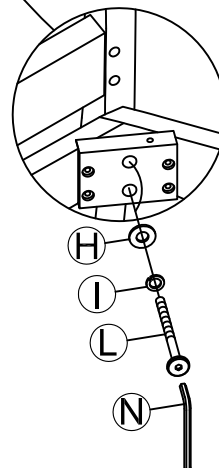
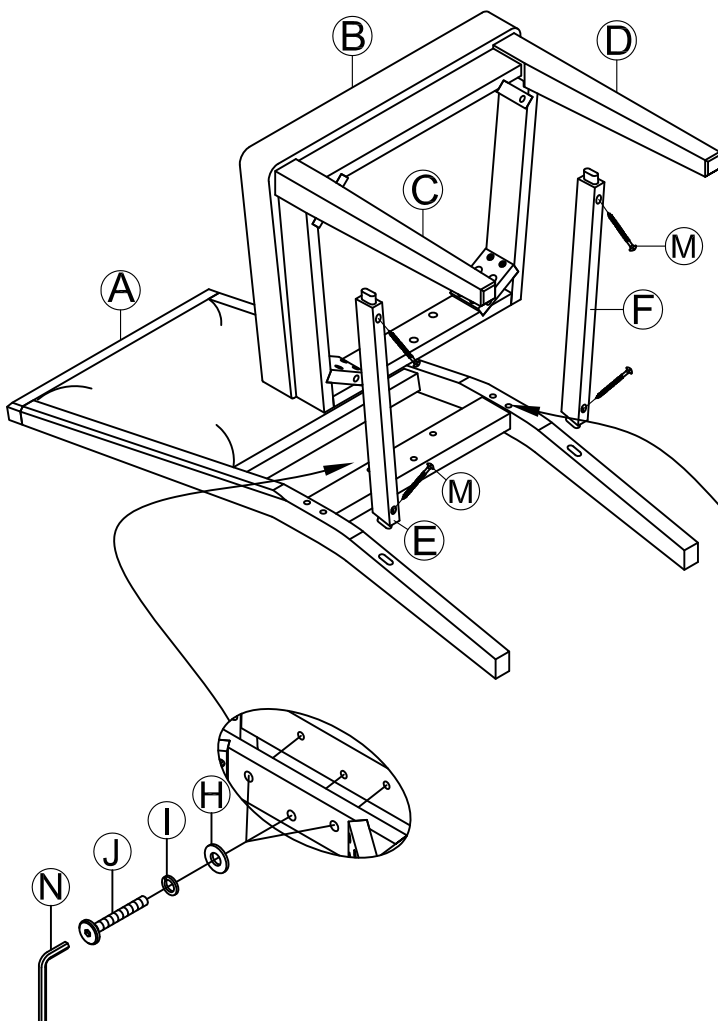
PARTS LIST FOR 2 CHAIRS:

NO.	DESCRIPTION	SKETCH	QTY
A	Chair Back Frame		2 pcs
B	Seat Frame		2 pcs
C	Left Front Leg		2 pcs
D	Right Front Leg		2 pcs
E	Left Side Stretcher		2 pcs
F	Right Side Stretcher		2 pcs

HARDWARE LIST FOR 2 CHAIRS :

NO.	DESCRIPTION	SIZE	SKETCH	QTY
H	Flat Washer	$\phi 5/16$ "x $\phi 19$ mm		22 pcs
I	Spring Washer	$\phi 5/16$ "x $\phi 12$ mm		22 pcs
J	Short Bolt	$\phi 1/4$ "x38mm		6 pcs
K	Hex Nut	$\phi 5/16$ "x12mm		8 pcs
L	Long Bolt	$\phi 1/4$ "x85mm		8 pcs
M	Screw	$\phi 8$ mmx $\phi 4$ mmx50mm		8 pcs
N	Allen key	58mmx23mmx4mm		1 pc
O	Wrench	12mmx75mm		1 pc

STEP 2



MADE IN VIETNAM