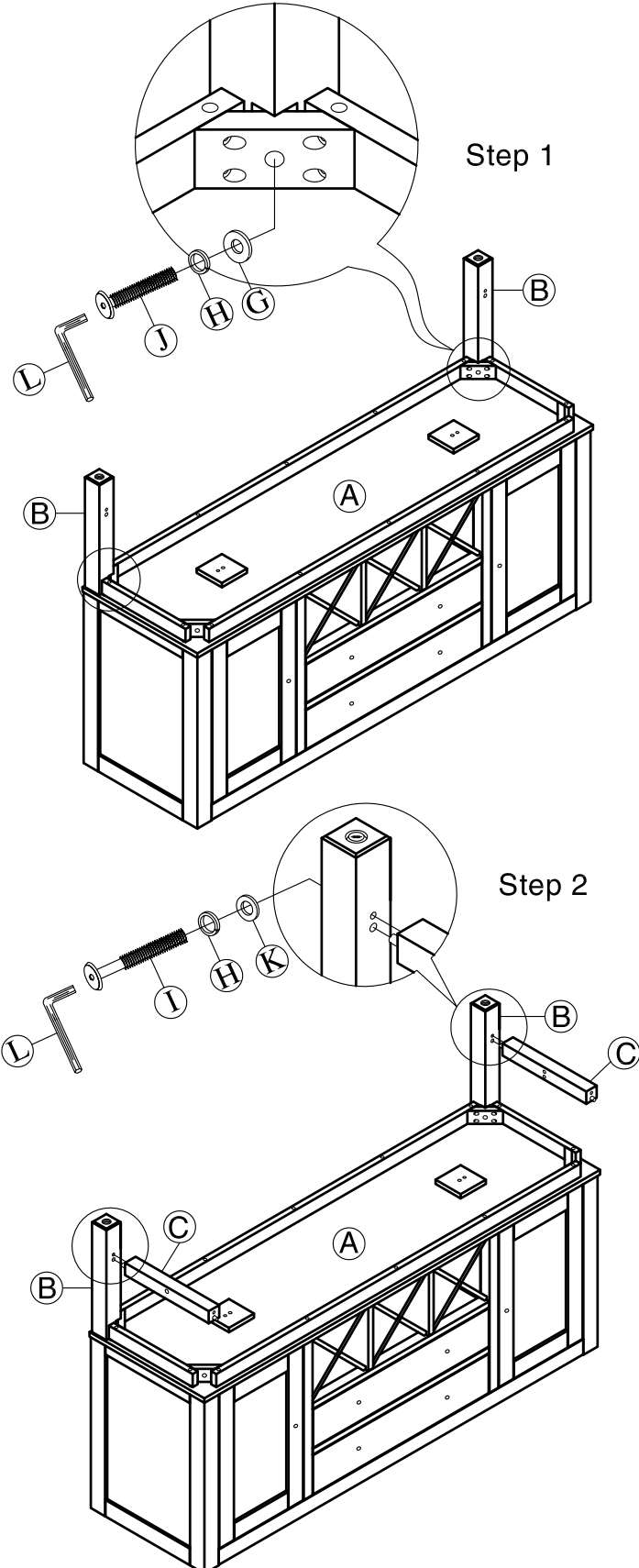


ASSEMBLY INSTRUCTIONS

ITEM NO : ST-CA-6218-BDY-C

Thank you for purchasing this quality product. Be sure to check all packing material carefully for small parts that may have come loose inside the carton during shipment. Please keep all hardware out of reach of small children



PARTS LIST :

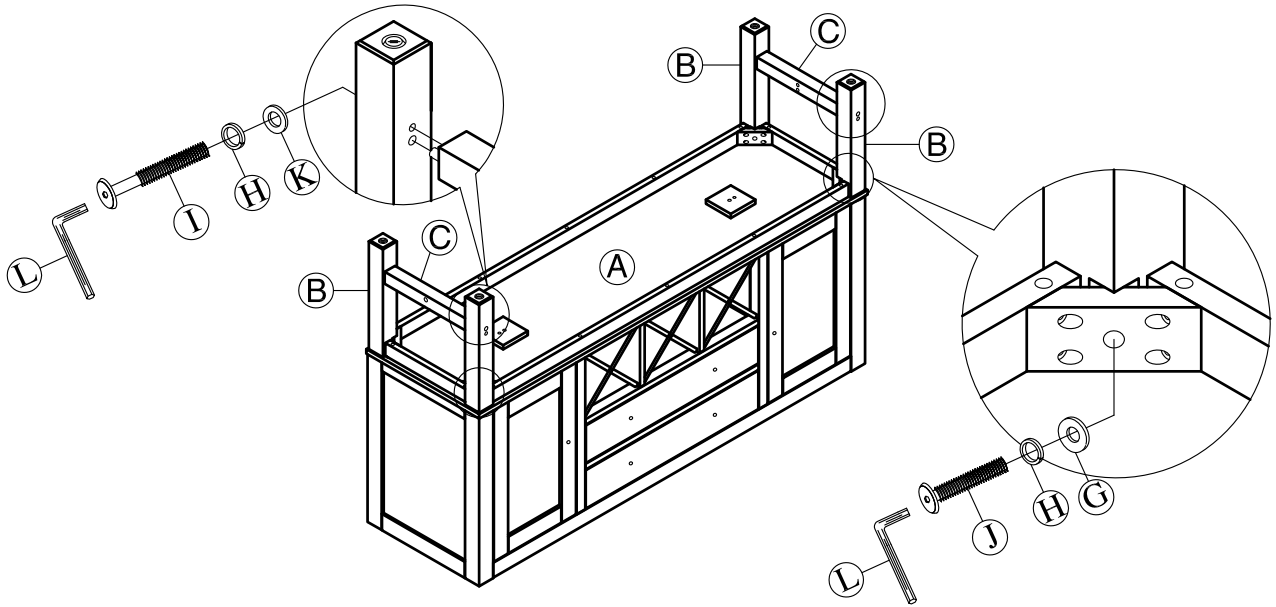
NO.	DESCRIPTION	SKETCH	QTY
A	Server		1 pc
B	Leg (left - right)		4 pcs
C	Side Stretcher		2 pcs
D	Trestle Bar		2 pcs
E	Bottom Rail		1 pc
F	Cap		4 pcs

HARDWARE LIST :

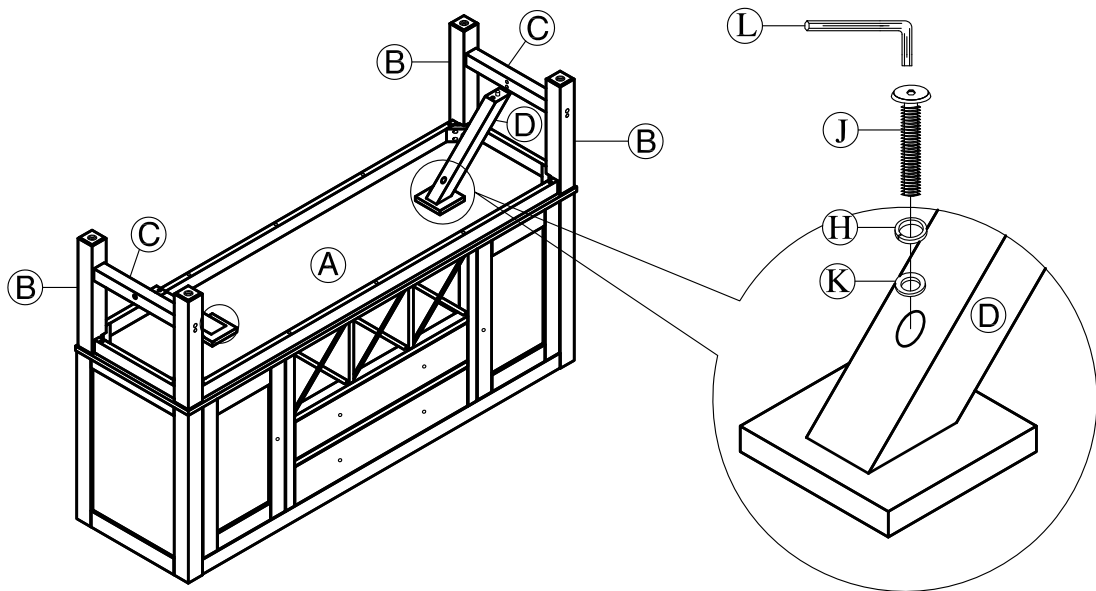
NO.	DESCRIPTION	SIZE	SKETCH	QTY
G	Flat Washer	$\phi 5/16$ "x $\phi 19$ mm		4 pcs
H	Spring Washer	$\phi 5/16$ "x $\phi 12$ mm		14 pcs
I	Long Bolt	$\phi 1/4$ "x 65mm		4 pcs
J	Short Bolt	$\phi 1/4$ "x 45mm		10 pcs
K	Small Washer	$\phi 1/4$ "x $\phi 12$ mm		10 pcs
L	Allen Wrench	58x 23x 4mm		1 pc
M	Wood Cap	$\phi 13$ x 7mm		2 pcs
N	Screw	$\phi 7$ mmx $\phi 3.5$ mmx25mm		2 pcs
O	Screw	$\phi 7$ mmx $\phi 3.5$ mmx16mm		2 pcs
P	Wall Mounts	$\phi 9$ mmx27mm		2 pcs
Q	Mounting Plates	47mmx22mmx9mm		2 pcs
R	Secure Band	310mmx12mmx8mm		1 pc

MADE IN VIETNAM

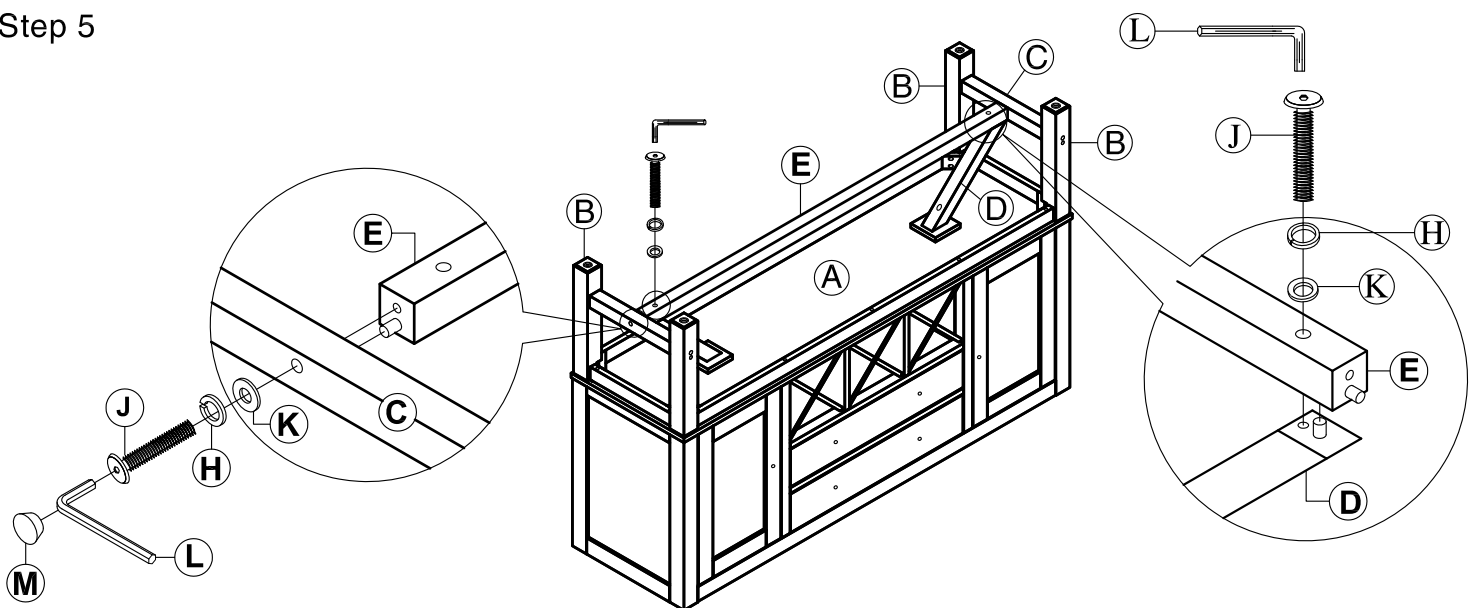
Step 3



Step 4

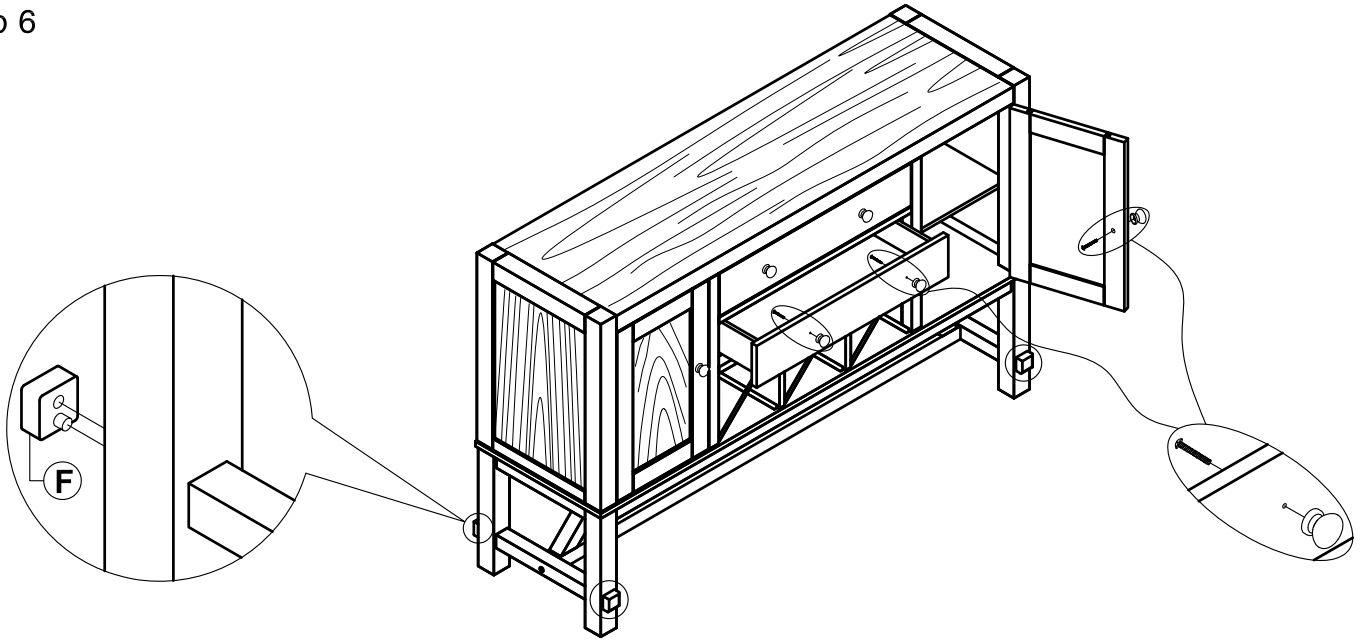


Step 5

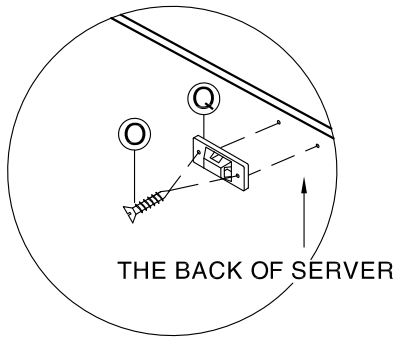


MADE IN VIETNAM

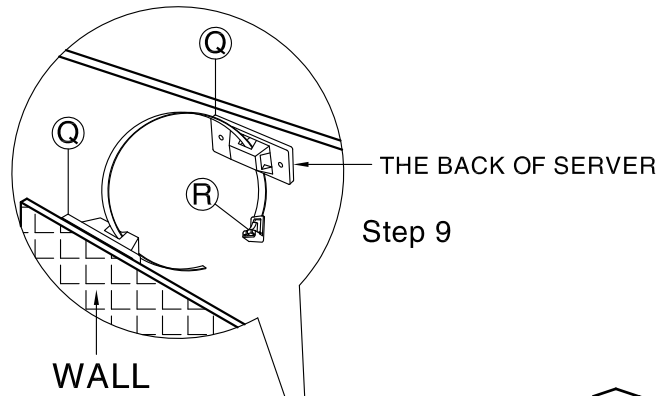
Step 6



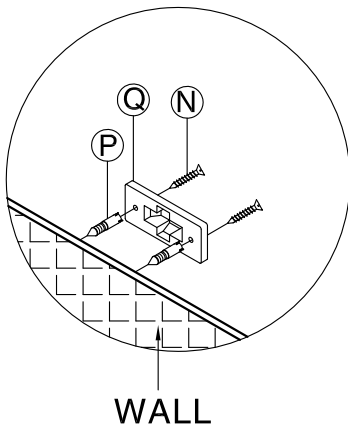
Step 8



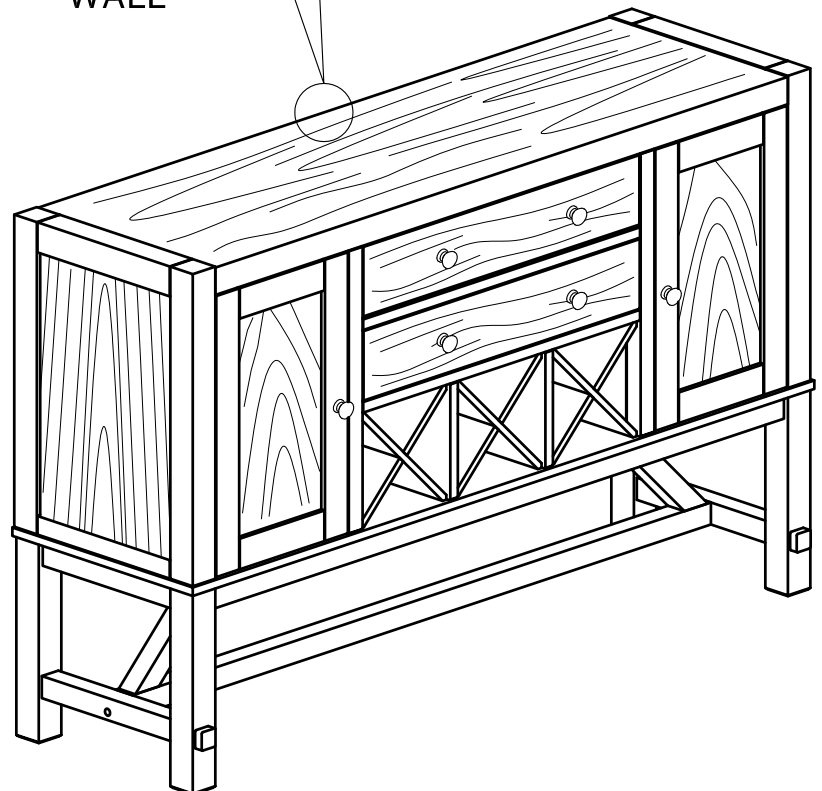
Step 9



Step 7



TO INSTALL THE SAFETY WALL STRAP



MADE IN VIETNAM