

ASSEMBLY INSTRUCTIONS

ITEM NO: ST-CH-5016B-BDY-RTA BACKLESS DINING BENCH

Thank you for purchasing this quality product. Be sure to check all packing material carefully for small parts that may have come loose inside the carton during shipment. Please keep all hardware out of reach of small children

TOOL NOT INCLUDE IN HARDWARE

Phillips Screwdriver



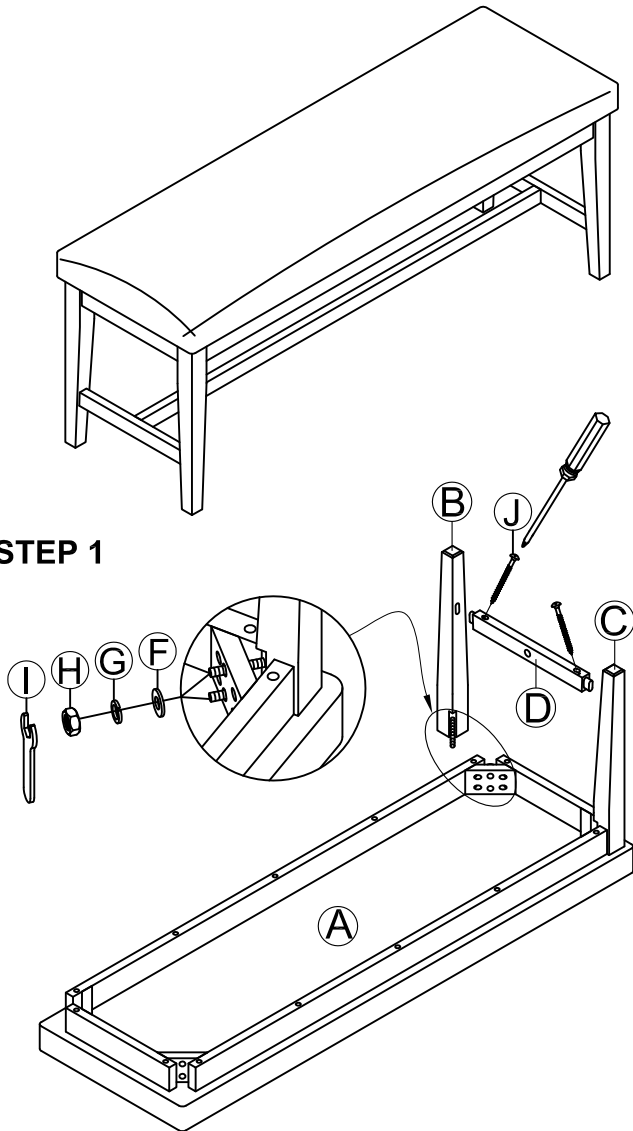
PARTS LIST:

NO.	DESCRIPTION	SKETCH	QTY
A	Seat Frame		1 pc
B	Chair Leg (Left)		2 pcs
C	Chair Leg (Right)		2 pcs
D	Side Stretcher		2 pcs
E	Center Stretcher		1 pc

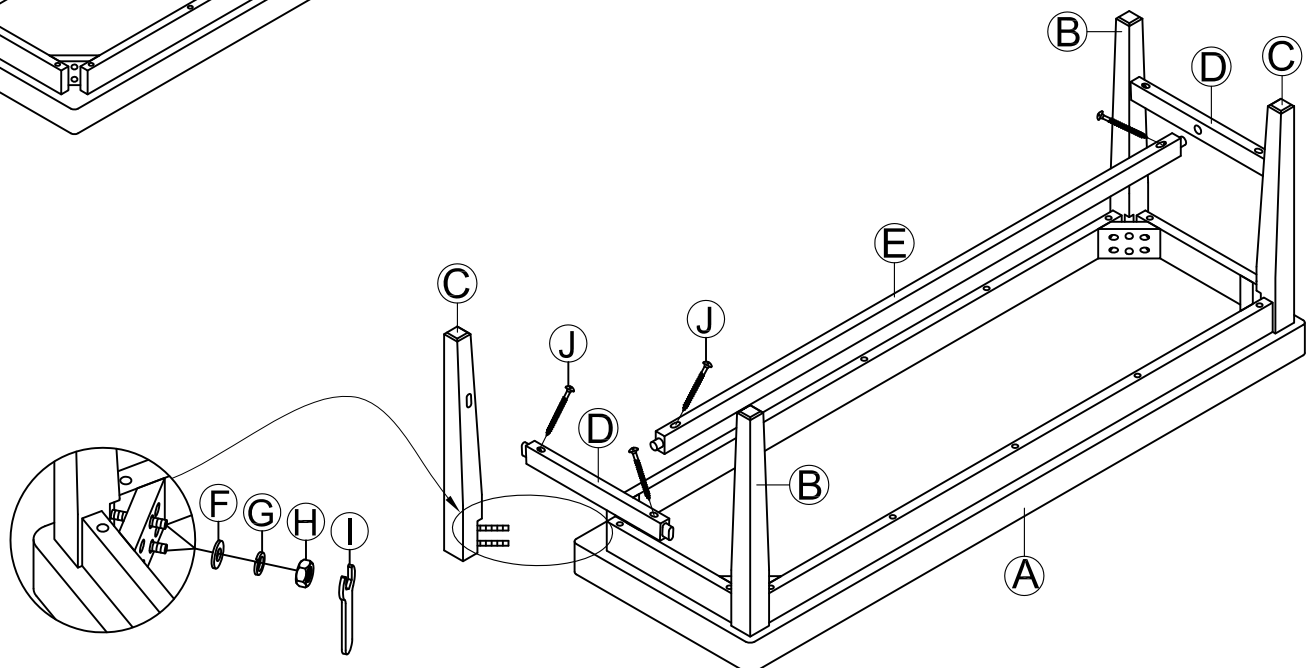
HARDWARE LIST:

NO.	DESCRIPTION	SIZE	SKETCH	QTY
F	Flat Washer	φ5/16"x φ19mm		8 pcs
G	Spring Washer	φ5/16"x φ12mm		8 pcs
H	Hex- Nut	φ5/16"x12		8 pcs
I	Wrench	12mmx75mm		1 pc
J	Screw	φ8mm x φ4mm x 50mm		6 pcs

STEP 1



STEP 2



MADE IN VIETNAM