



INTERCON
FURNITURE FOR LIFE

ASSEMBLY INSTRUCTION

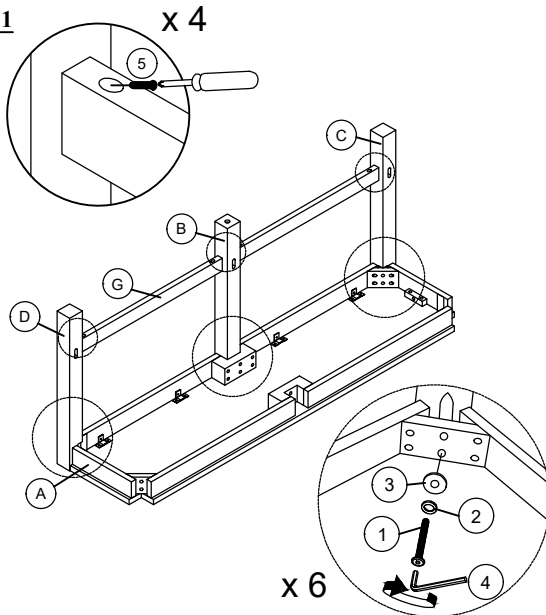
DESCRIPTION : **BENCH BACKLESS GATHERING w/WOOD SEAT**
ITEM NO : **SL-BS-5815G-BCO-K24**

Thank you for purchasing this quality product. Be sure to check all packing material carefully for small parts which may have come loose inside the carton during shipment. Identify and count all parts and compare with the parts list below. Please keep all hardware out of reach of small children.

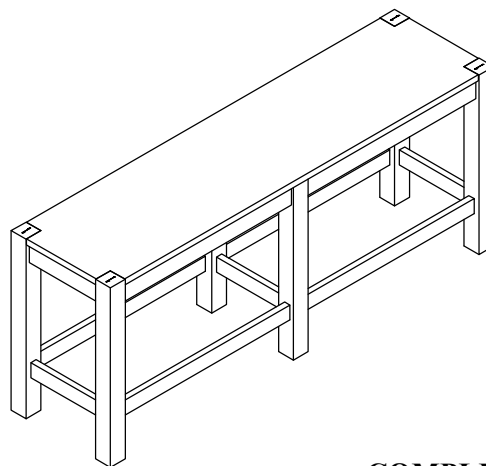
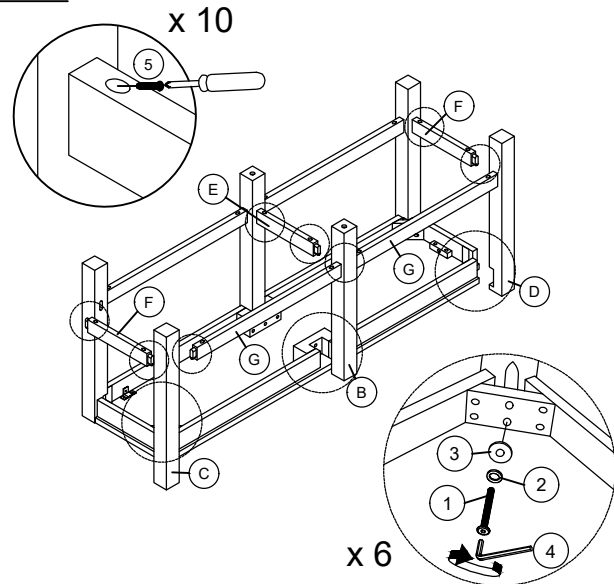
PARTS LIST			Q'TY
A		Bench Top	1PC
B		Center legs	2PCS
C		Right legs	2PCS
D		Left legs	2PCS
E		Center Stretcher	1PC
F		Side Stretcher	2PCS
G		Front Stretcher	4PCS

HARDWARE LIST:				
No.	Description	Sketch	Size	Quantity
1	Bolt		1/4"*60 mm	12 Pcs
2	Lock Washer		1/4"	12 Pcs
3	Flat Washer		1/4"*19mm	12 Pcs
4	Allen Key		4mm	1 Pc
5	Screw		4*40mm	14 Pcs

STEP 1



STEP 2



COMPLETE ASSEMBLE

ASSEMBLY TIPS:

- 1.Remove hardware from box and sort by size.
- 2.Please check to see that all hardware and parts are present prior start of assembly.
- 3.Please follow attached instructions in the same sequence as numbered to assure fast and easy assembly.

⚠ WARNING!

- 1.Don't attempt to repair or modify parts that are broken or defective. Please contact the store immediately.
- 2.This product is for home use only and not intended for commercial establishments.

MADE IN VIETNAM