

Assembly Instructions

for Queen bed , King bed & CAL King Bed

Thank you for purchasing this quality product. Carefully check all packing material for small parts which may have come loose inside the carton during shipment. Keep all hardware out of the reach of small children. Study all the instructions and drawings carefully before assembly. Check that all connections are tight and the product does not wobble before using.

1. Attach two Bolts to each post of Headboard and Footboard. (Figure1)
 2. Attach Side Rails to the posts by using Curved Washers, Lock Washers, Nuts and Wrench. (Figure1)
 3. Adjust the leveller under the slats as needed. (Figure2)
 4. Secure slats to rails with screws. (Figure2)
- Make sure all connections are tight and the bed does not wobble before using.

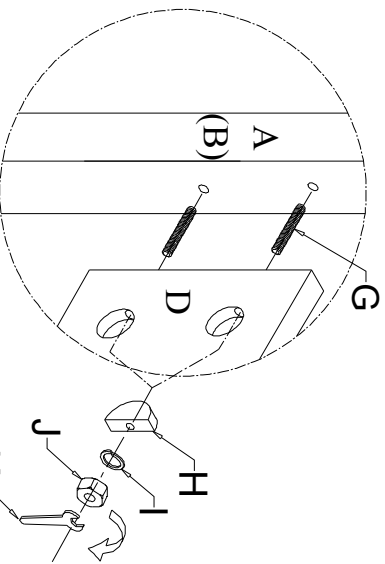


Figure1

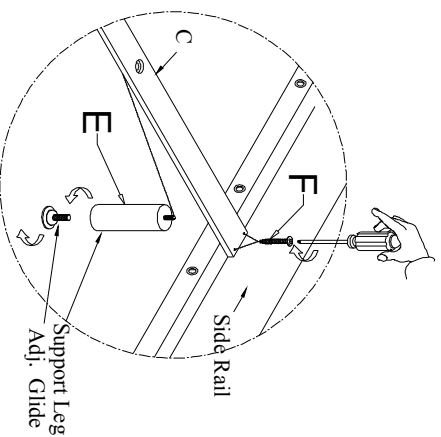
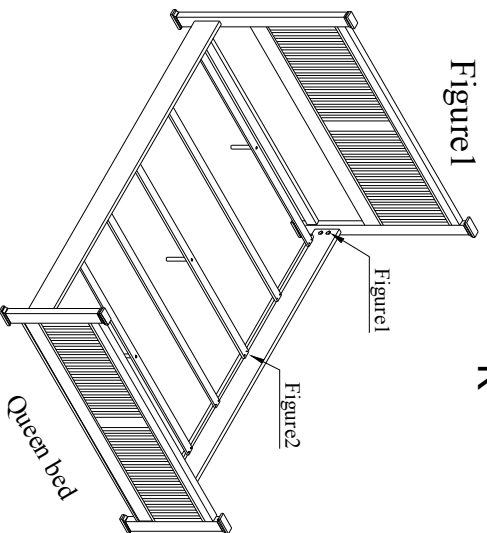
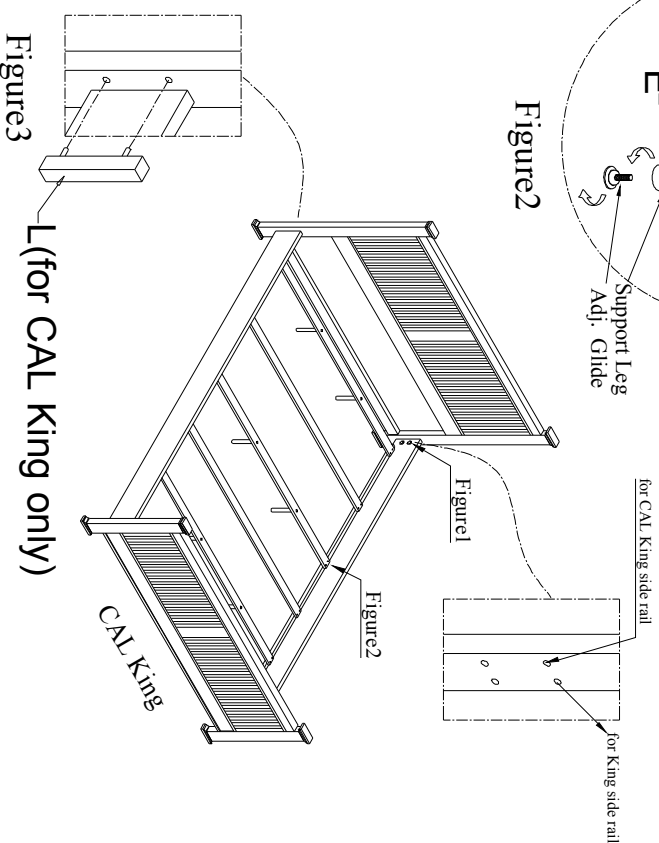


Figure2

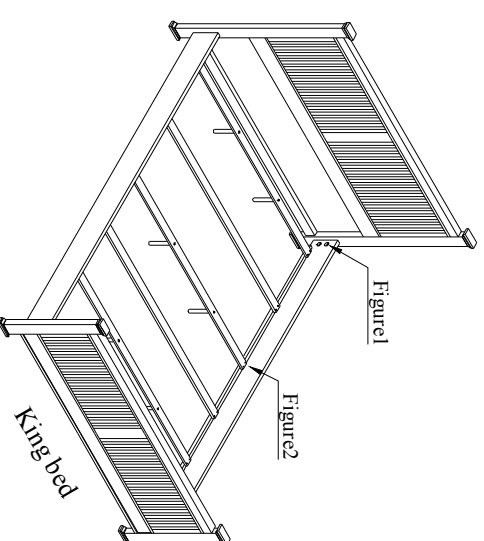


Queen bed



CAL King

Figure3



King bed

PARTS CHECK LIST

| ITEM | PART NAME | Queen bed | King bed |
|------|--------------------------------|-----------|----------|
| A | HEADBOARD | 1 | 1 |
| B | FOOTBOARD | 1 | 1 |
| C | SLAT | 5 | 5 |
| D | RAIL | 2 | 2 |
| E | SUPPORT | 3 | 6 |
| L | Decorative Wood (For Cal King) | | |

HARDWARE CHECK LIST

| ITEM | PART NAME | Queen bed | King bed |
|------|----------------|-----------|----------|
| F | SCREW | 20 | 20 |
| G | BOLT | 8 | 8 |
| H | CURVED WASHER | 8 | 8 |
| I | LOCK WASHER | 8 | 8 |
| J | NUT | 8 | 8 |
| K | SPANNER WRENCH | 1 | 1 |