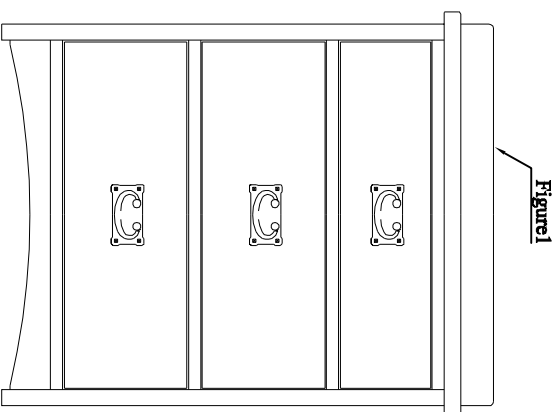


Assembly Instructions

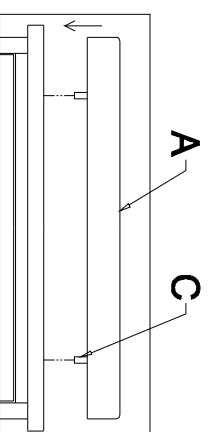
for 3 DRAWER NIGHTSTAND

Thank you for purchasing this quality product. Carefully check all packing material for small parts which may have come loose inside the carton during shipment. Keep all hardware out of the reach of small children. Study all the instructions and drawings carefully before assembly. Check that all connections are tight and the product does not wobble before using.

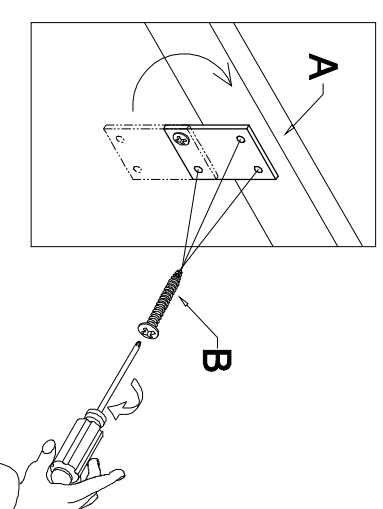
1. Put backslash on top after tucking dowels into backslash holes. (STEP1)
2. Screw the backslash with brackets on cases back panel. (STEP2)



OP-BR-5803-MIS-C



STEP1



STEP2

HARDWARE CHECK LIST

ITEM	PART NAME	
B	SCREW	6
C	DOWEL	2

NOTE! ANTI TIP KIT LOCATED ON THE BACK OF THIS UNIT SHOULD BE INSTALLED FOLLOWING THE INSTRUCTIONS ON THE ANTI TIP KIT PACKAGING.