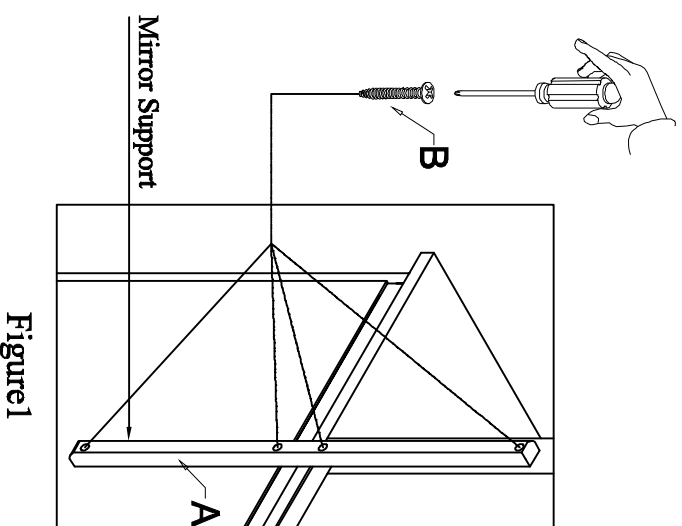
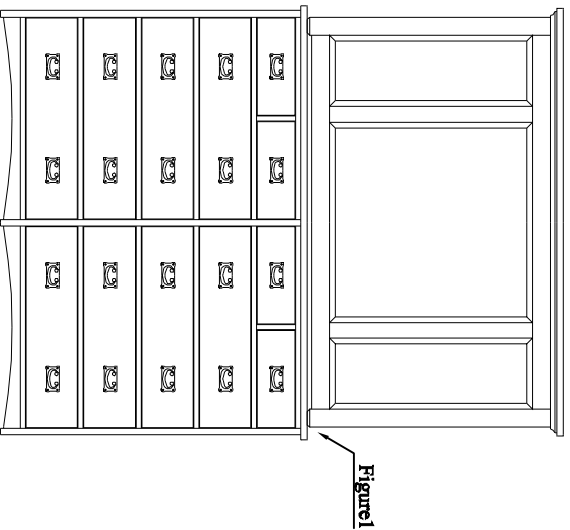


# Assembly Instructions

## for MIRROR

Thank you for purchasing this quality product. Carefully check all packing material for small parts which may have come loose inside the carton during shipment. Keep all hardware out of the reach of small children. Study all the instructions and drawings carefully before assembly. Check that all connections are tight and the product does not wobble before using.

1. Put mirror on the dresser top after removed the backplash.
2. Attach mirror to dresser by screwing mirror supports. (Figure 1)



### PARTS CHECK LIST

ITEM	PART NAME	
A	MIRROR SUPPORT	2

### HARDWARE CHECK LIST

ITEM	PART NAME	
B	SCREW	8

**NOTE! ANTI TIP KIT LOCATED ON THE BACK OF THIS UNIT SHOULD BE INSTALLED FOLLOWING THE INSTRUCTIONS ON THE ANTI TIP KIT PACKAGING.**