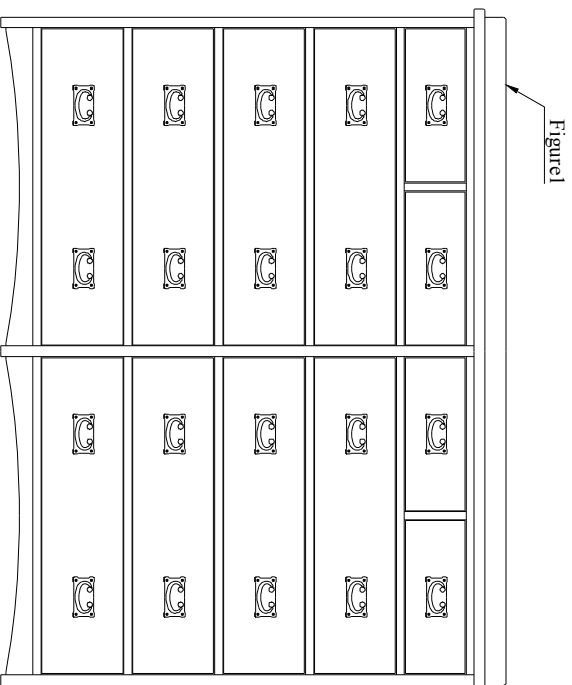


Assembly Instructions

for 12 DRAWER DRESSER

Thank you for purchasing this quality product. Carefully check all packing material for small parts which may have come loose inside the carton during shipment. Keep all hardware out of the reach of small children. Study all the instructions and drawings carefully before assembly. Check that all connections are tight and the product does not wobble before using.

1. Put backplash on top after tucking dowels into backplash holes. (STEP1)
2. Screw the backplash with brackets on cases back panel. (STEP2)



OP-BR-5812-MIS-C

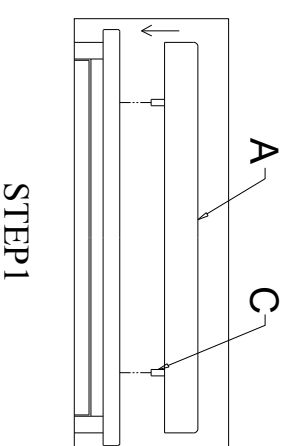
PARTS CHECK LIST

ITEM	PART NAME	
A	BACKPLASH	1

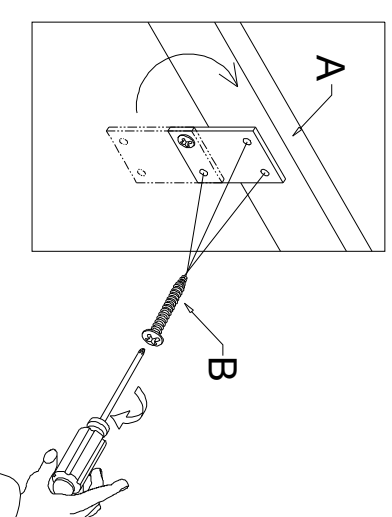
HARDWARE CHECK LIST

ITEM	PART NAME	
B	SCREW	9
C	DOWEL	2

NOTE! ANTI TIP KIT LOCATED ON THE BACK OF THIS UNIT SHOULD BE INSTALLED FOLLOWING THE INSTRUCTIONS ON THE ANTI TIP KIT PACKAGING.



STEP 1



STEP 2