

# ASSEMBLY INSTRUCTIONS

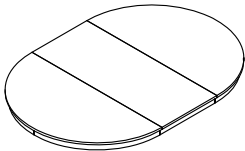
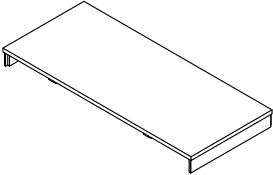
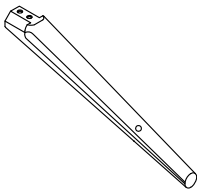
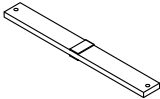
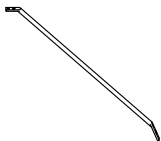
ITEM NO : MR-TA-5274-WWH-C

OVAL DINING TABLE


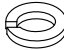
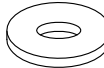


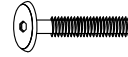
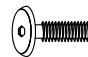
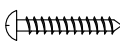
Thank you for purchasing this quality product. Be sure to check all packing material carefully for small parts that may have come loose inside the carton during shipment.

Please keep all hardware out of reach of small children

PARTS LIST :

NO.	DESCRIPTION	SKETCH	QTY
A	Table Top		1pc
B	Table Leaf		1pc
C	Table Legs		4pcs
D	Mounting Plate		2pcs
E	Metal Pipe		4pcs

HARDWARE LIST :

NO.	DESCRIPTION	SIZE	SKETCH	QTY
F	Long Bolt	Ø5/16"x 70mm		8pcs
G	Spring Washer	Ø5/16"x 12mm		16pcs
H	Flat Washer	Ø5/16"x 19mm		12pcs
I	Allen Wrench	58x 23x 4mm		1pc
J	Small Flat Washer	Ø1/4"x 12mm		4pcs
K	Short Bolt	Ø1/4"x 38 mm		4pcs
L	Short Bolt	Ø1/4"x 19 mm		4pcs
M	Screw	Ø8x Ø4x 16 mm		8pcs

DO NOT TIGHTEN BOLTS UNTIL TABLE IS COMPLETELY ASSEMBLED.

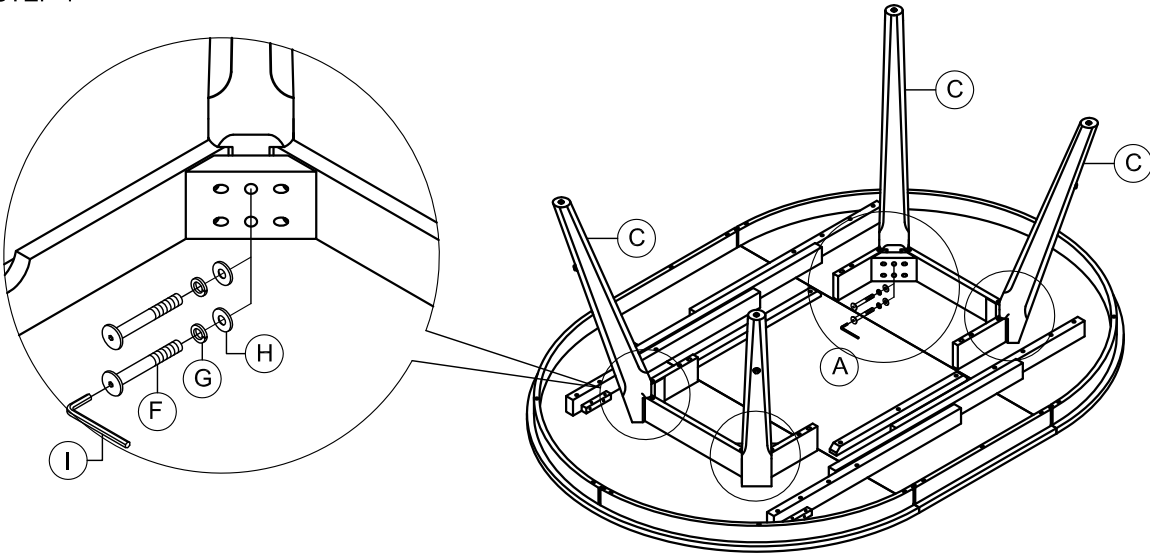
MADE IN VIETNAM

# ASSEMBLY INSTRUCTIONS

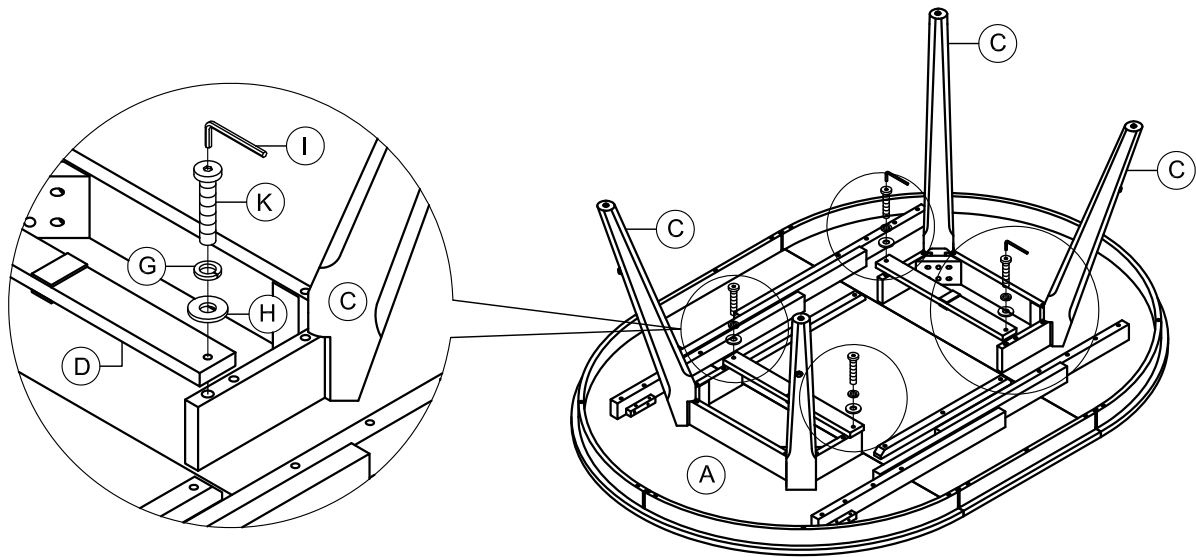
ITEM NO : MR-TA-5274-WWH-C

OVAL DINING TABLE

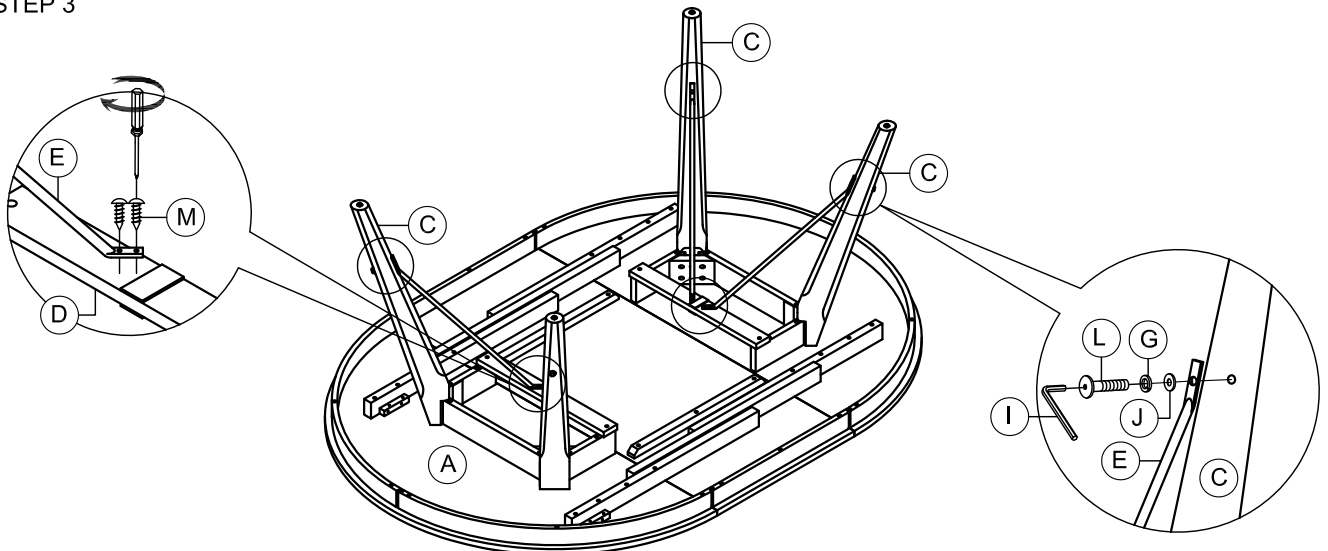
STEP 1



STEP 2



STEP 3



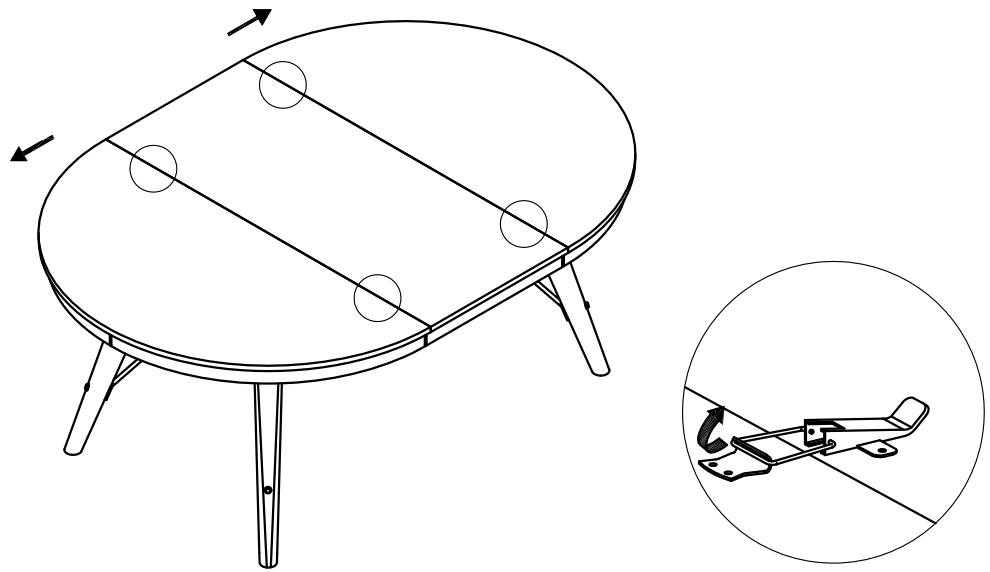
MADE IN VIETNAM

# ASSEMBLY INSTRUCTIONS

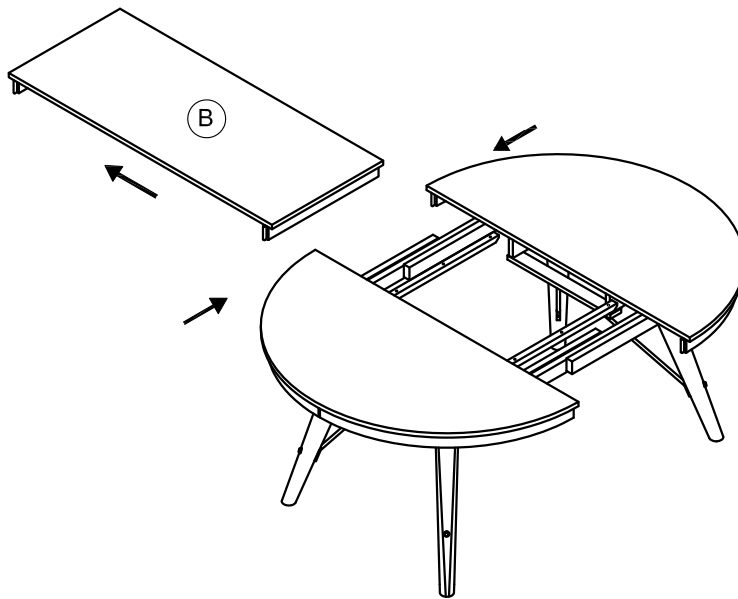
ITEM NO : MR-TA-5274-WWH-C

OVAL DINING TABLE

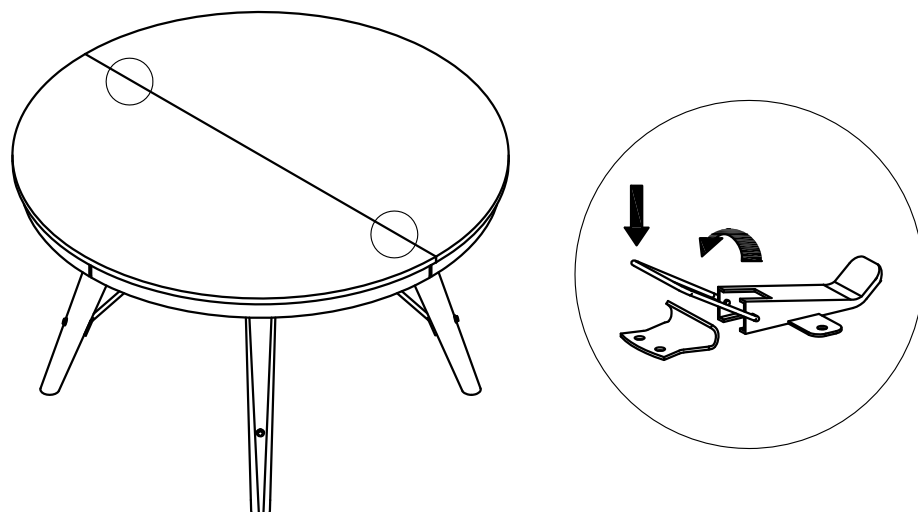
STEP 4



STEP 5



STEP 6



PLEASE TIGHTEN ALL BOLTS FIRMLY AND MAKE SURE THE TABLE DOES NOT WOBBLE

MADE IN VIETNAM