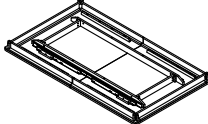
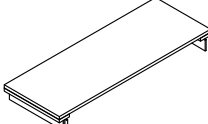
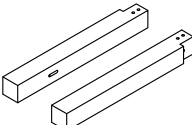
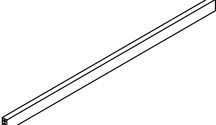
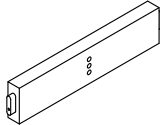
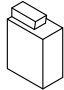
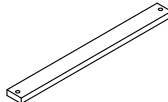


ASSEMBLY INSTRUCTIONS



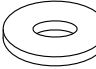

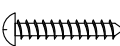

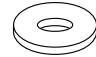
ITEM NO : KA- TA- 4090G- RAI- C

Thank you for purchasing this quality product. Be sure to check all packing material carefully for small parts that may have come loose inside the carton during shipment. Please keep all hardware out of reach of small children

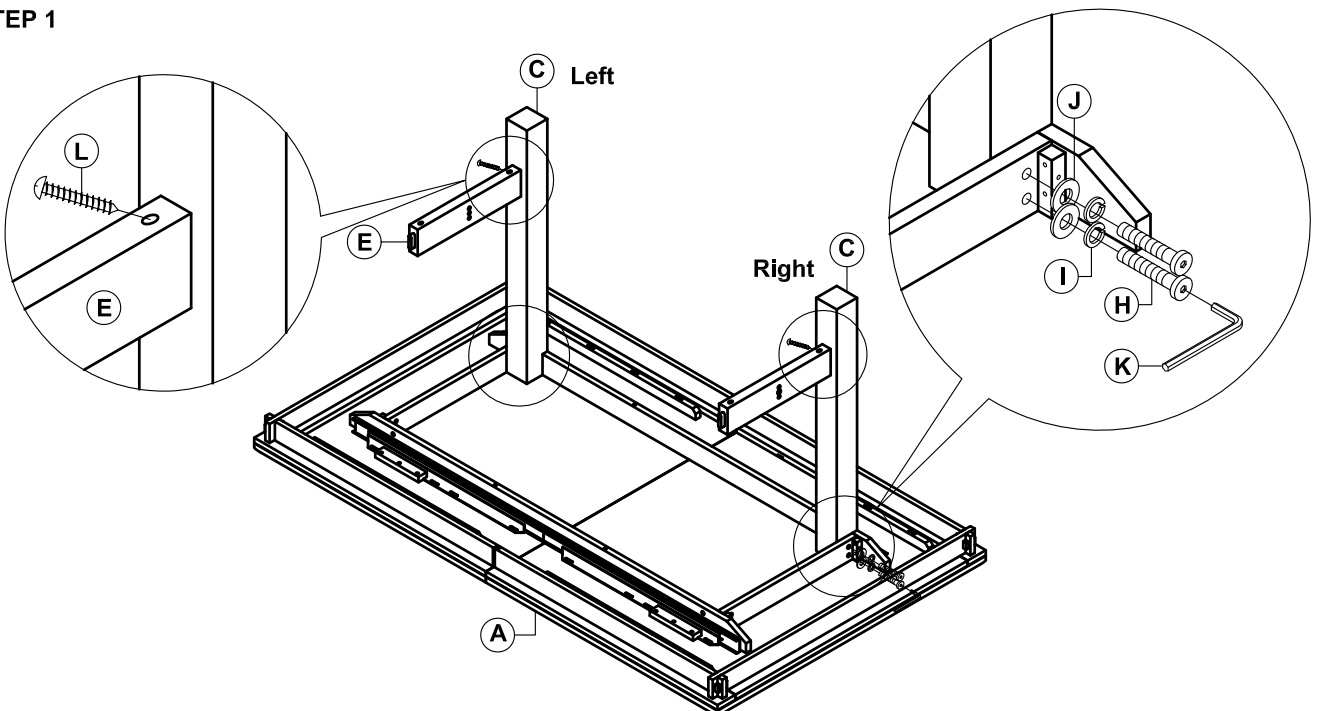
PARTS LIST :

NO.	DESCRIPTION	SKETCH	QTY
A	Table Top		1 pc
B	Table Leaf		1 pc
C	Table Leg Left- Right		4 pcs
D	Bottom Rail		1 pc
E	Side Stretcher		2 pcs
F	Cap		2 pcs
G	Trestle Bar		2 pcs

HARDWARE LIST :

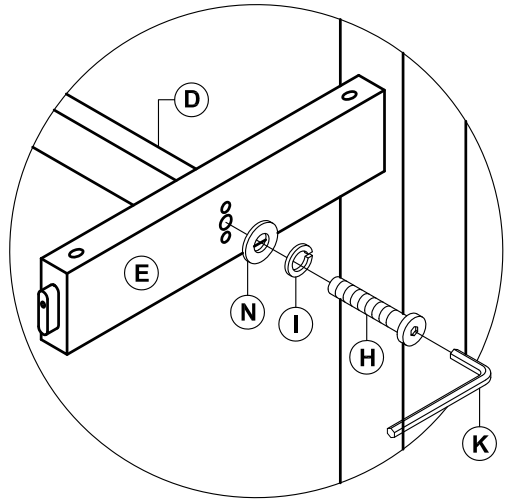
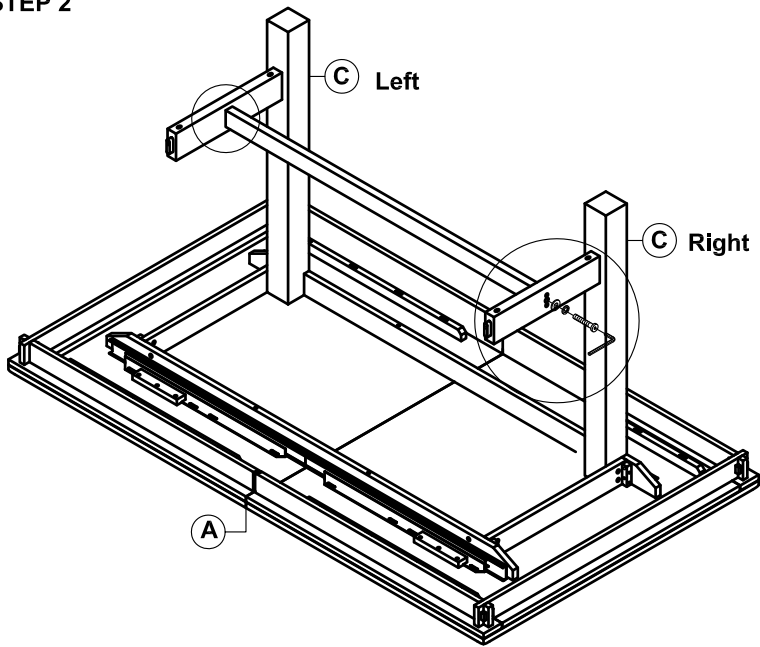
NO.	DESCRIPTION	SIZE	SKETCH	QTY
H	Bolt	Ø5/16"x45mm		14pcs
I	Spring Washer	Ø5/16"x12mm		18pcs
J	Flat Washer	Ø5/16"x19mm		16pcs
K	Allen Wrench	58x 23x 4mm		1 pc
L	Screw	Ø8x Ø4x 50mm		4pcs
M	Bolt	Ø1/4"x45mm		4pcs
N	Small Washer	Ø5/16"x14mm		2pcs

STEP 1

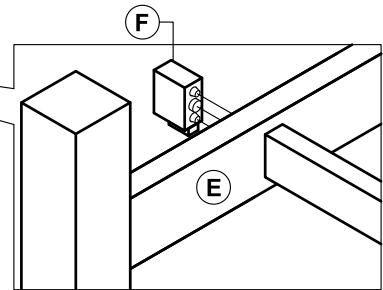
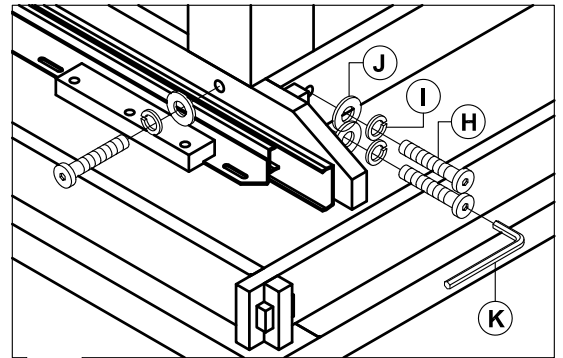
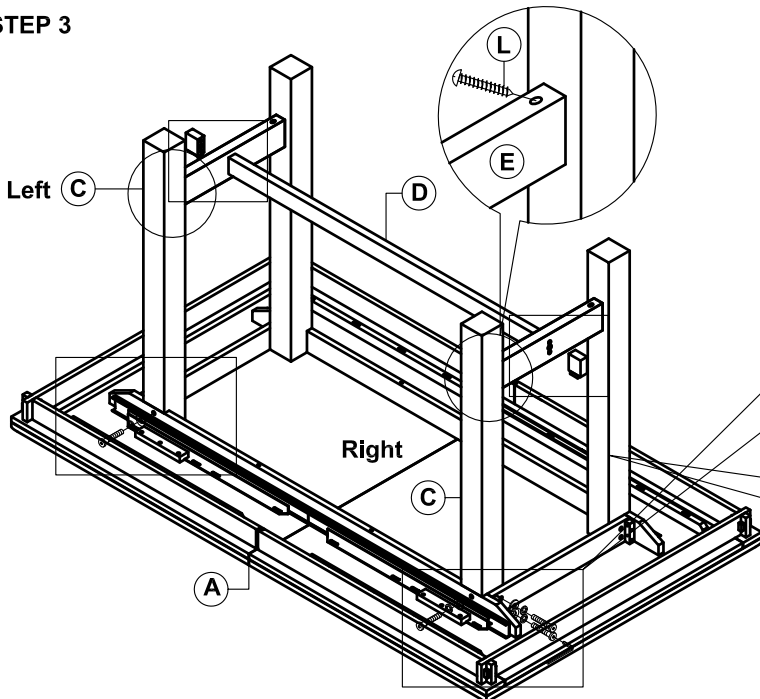


MADE IN VIETNAM

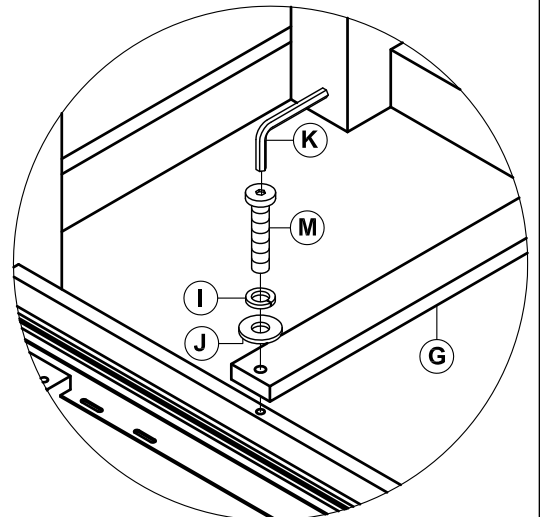
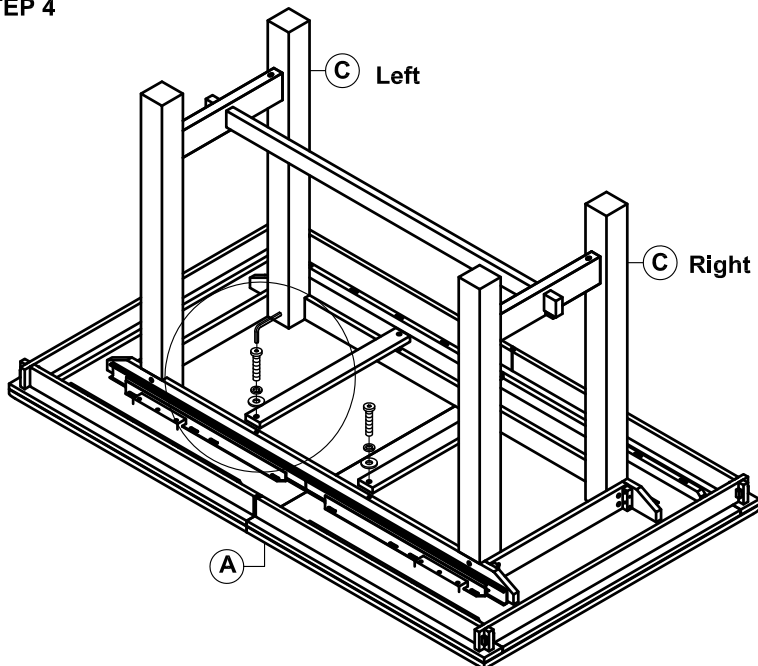
STEP 2



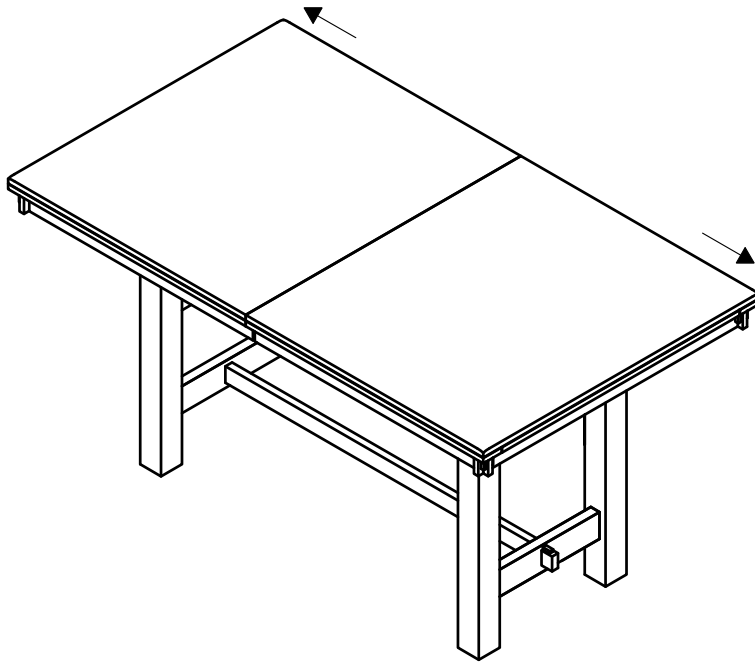
STEP 3



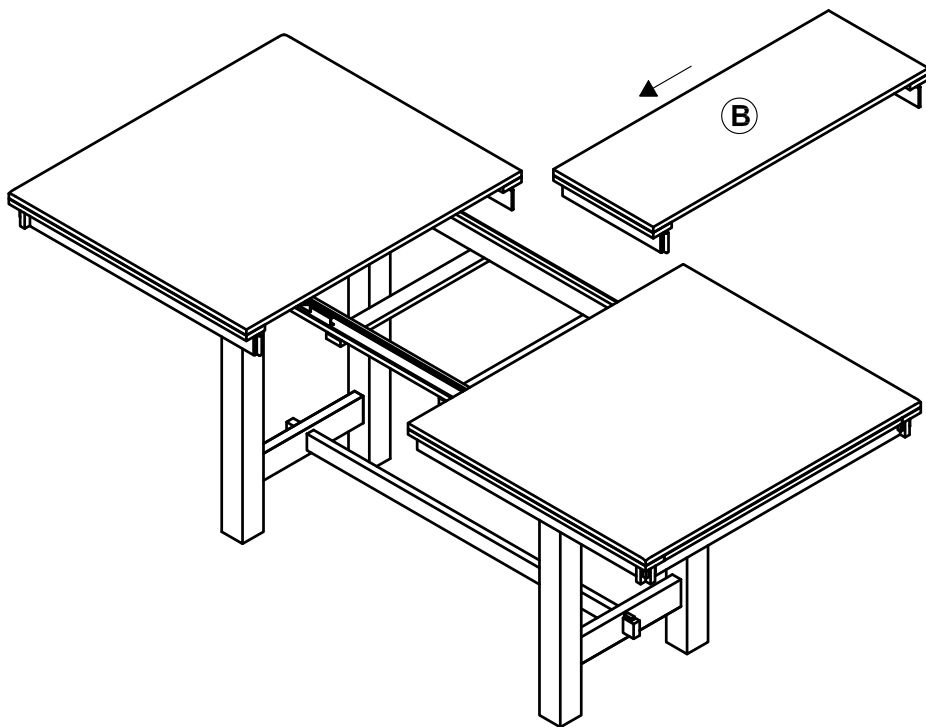
STEP 4



STEP 5



STEP 6



STEP 7

