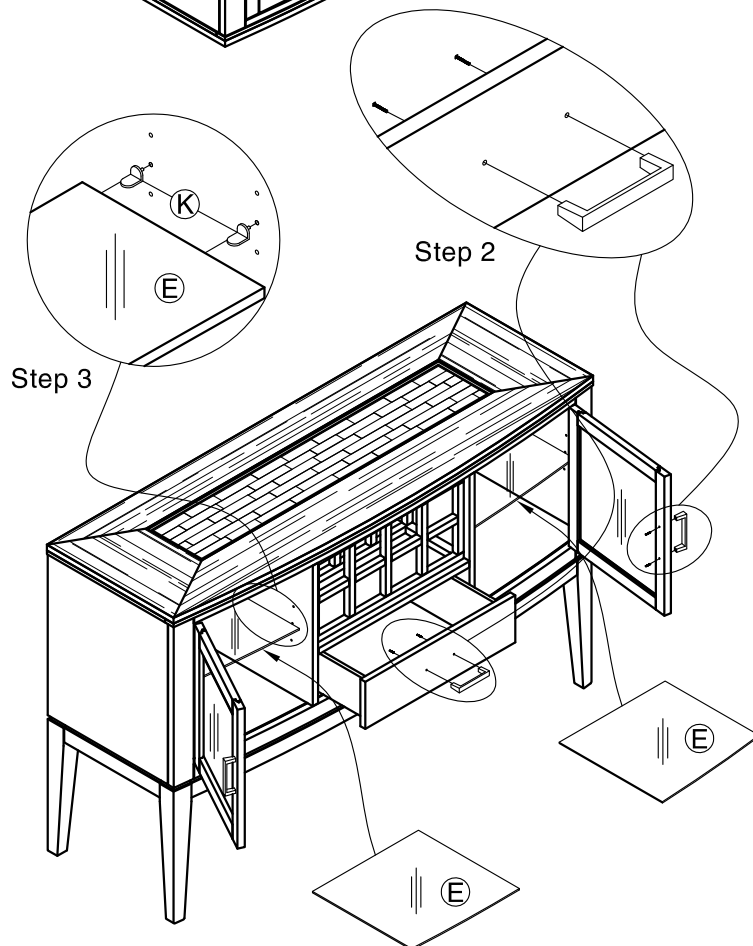
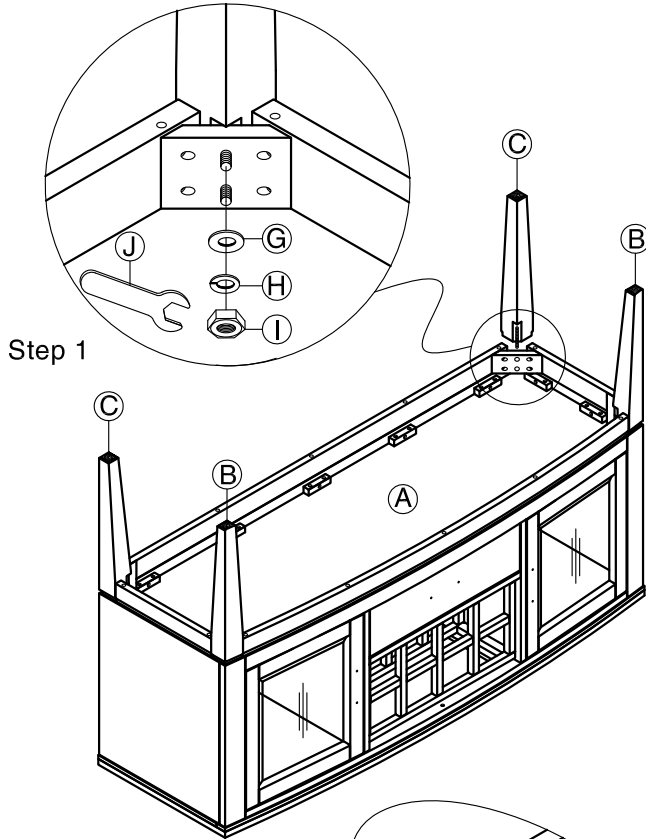


ASSEMBLY INSTRUCTIONS

ITEM NO : KA-CA-6038-CHA-C

60" SERVER W/WINE RACK

Thank you for purchasing this quality product. Be sure to check all packing material carefully for small parts that may have come loose inside the carton during shipment. Please keep all hardware out of reach of small children



PARTS LIST :

NO.	DESCRIPTION	SKETCH	QTY
A	Server		1 pc
B	Leg (left - right)		2 pcs
C	Leg		2 pcs
D	Temper Glass		1 pc
E	Temper Glass		2 pcs
F	Shelve		1 pc

HARDWARE LIST :

NO.	DESCRIPTION	SIZE	SKETCH	QTY
G	Flat Washer	$\phi 5/16"$ x $\phi 19$ mm		8 pcs
H	Spring Washer	$\phi 5/16"$ x $\phi 12$ mm		8 pcs
I	Hex- Nut	$\phi 5/16"$ x 12		8 pcs
J	Wrench	12mmx75mm		1 pc
K	Shelf Supporter	27mmx12mmx15mm		12 pcs
L	Long Bolt	$\phi 1/4"$ x 50mm		1 pc
M	Cross Nut Ecrou	$\phi 1/4"$ x $\phi 9$ x 7mm		1 pc
N	Plastic Bumper	$\phi 8$ x 1mm		6 pcs
O	Screw	$\phi 7$ mmx $\phi 3.5$ mmx25mm		2 pcs
P	Screw	$\phi 7$ mmx $\phi 3.5$ mmx16mm		2 pcs
Q	Wall Mounts	$\phi 9$ mmx27mm		2 pcs
R	Mounting Plates	47mmx22mmx9mm		2 pcs
S	Secure Band	310mmx12mmx8mm		1 pc

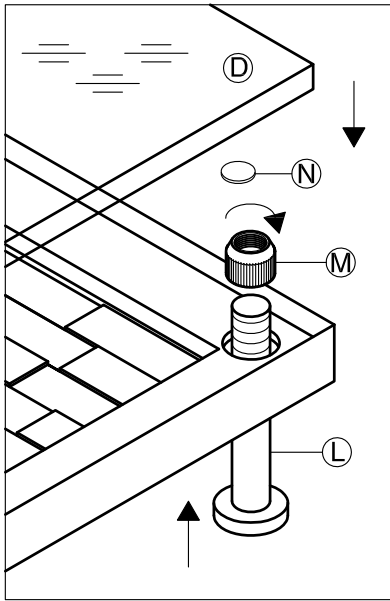
MADE IN VIETNAM

ASSEMBLY INSTRUCTIONS

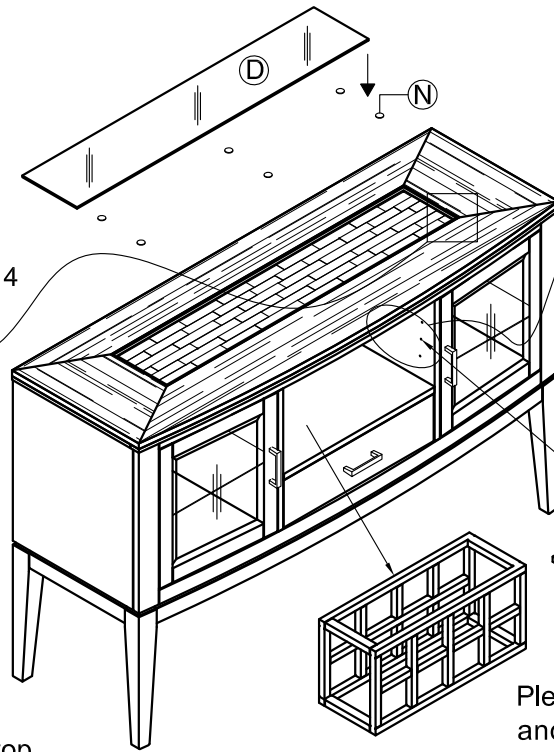
ITEM NO : KA-CA-6038-CHA-C

60" SERVER W/WINE RACK

Thank you for purchasing this quality product. Be sure to check all packing material carefully for small parts that may have come loose inside the carton during shipment. Please keep all hardware out of reach of small children



Step 4

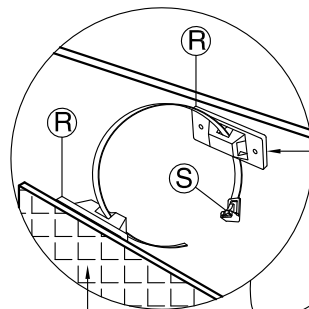


Please take note that the wine rack and shelf can be replaced to use instead of assembling together.

1. Insert bolt from internal behind door to top.
2. Push up insert bolt and assembly hardware cap (M).
3. Glass top can be insert into server now.

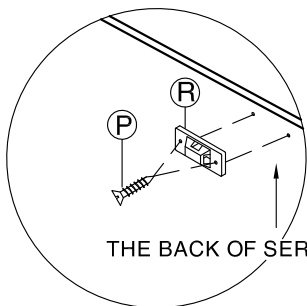
Remark:

Push up insert bolt to remove glass top when do deep part cleaning.



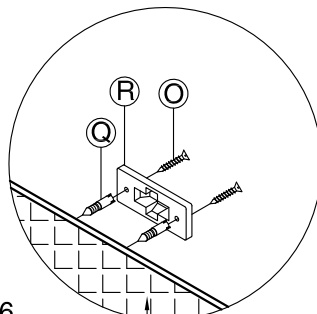
THE BACK OF SERVER

Step 7



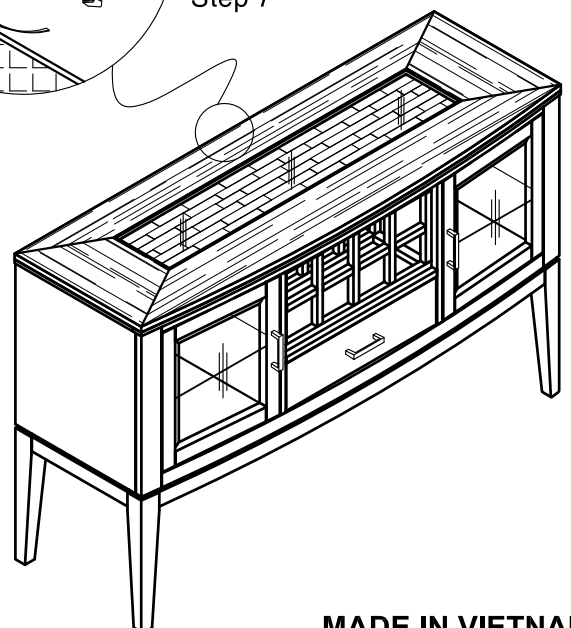
THE BACK OF SERVER

Step 5



WALL

Step 6



TO INSTALL THE SAFETY WALL STRAP

MADE IN VIETNAM