

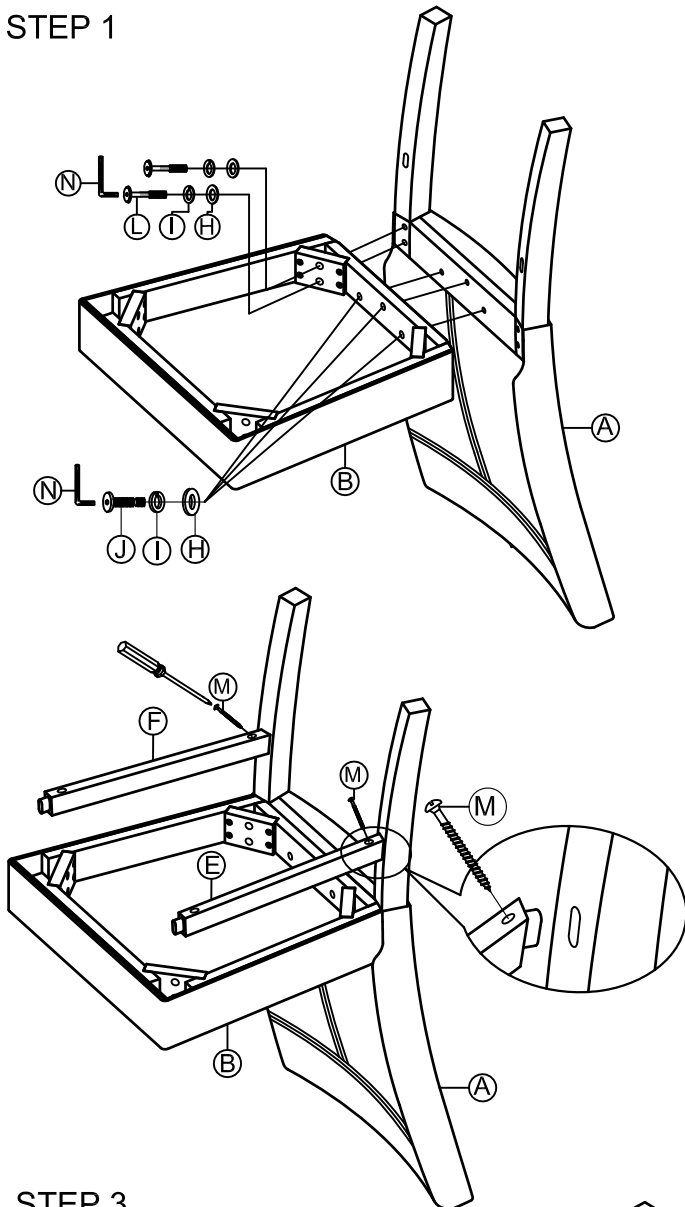
ASSEMBLY INSTRUCTIONS

ITEM NO: KA-CH-280L-RAI-RTA

PARSON'S SIDE CHAIR

Thank you for purchasing this quality product. Be sure to check all packing material carefully for small parts that may have come loose inside the carton during shipment.

STEP 1



TOOLS NOT REQUIRED

Phillips Screwdriver



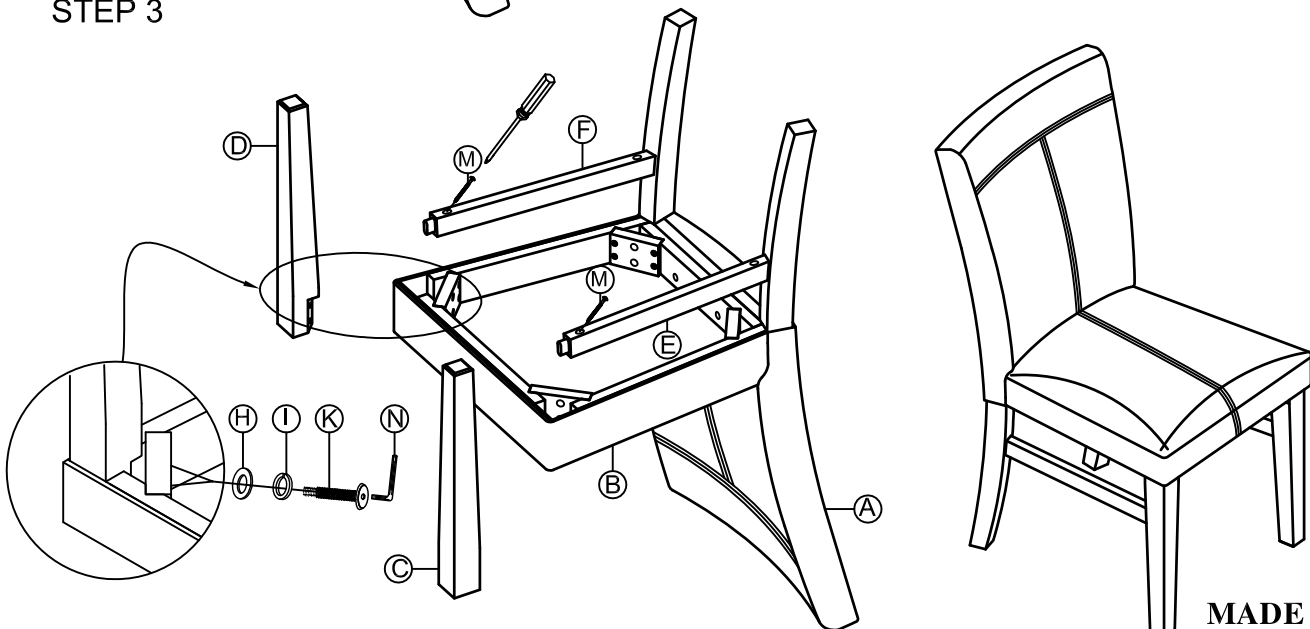
PARTS LIST FOR 2 CHAIRS :

NO.	DESCRIPTION	SKETCH	QTY
A	Chair Back Frame		2 pcs
B	Seat Frame		2 pcs
C	Left Front Leg		2 pcs
D	Right Front Leg		2 pcs
E	Left Side Stretcher		2 pcs
F	Right Side Stretcher		2 pcs

HARDWARE LIST FOR 2 CHAIRS :

NO.	DESCRIPTION	SIZE	SKETCH	QTY
H	Flat Washer	$\phi 5/16$ "x $\phi 19$ mm		22 pcs
I	Spring Washer	$\phi 5/16$ "x $\phi 13$ mm		22 pcs
J	Short Bolt	$\phi 1/4$ "x38mm		6 pcs
K	Middle Bolt	$\phi 1/4$ "x57mm		8 pcs
L	Long Bolt	$\phi 1/4$ "x85mm		8 pcs
M	Screw	$\phi 8$ mmx $\phi 4$ mmx50mm		8 pcs
N	Allen key	58mmx23mmx4mm		1 pc

STEP 3



MADE IN VIETNAM