

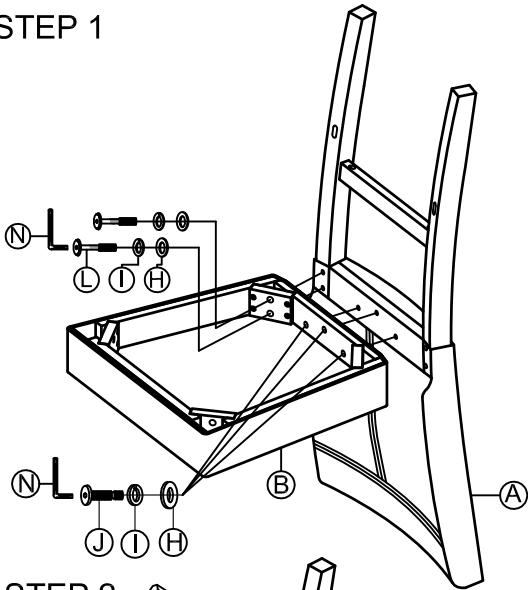
# ASSEMBLY INSTRUCTIONS

ITEM NO: KA-BS-280L-RAI-K24

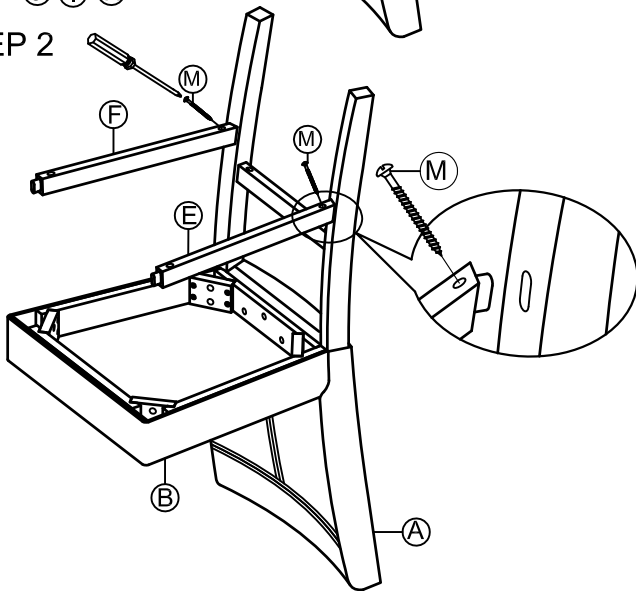
## 24 PARSON'S BARSTOOL

Thank you for purchasing this quality product. Be sure to check all packing material carefully for small parts that may have come loose inside the carton during shipment.

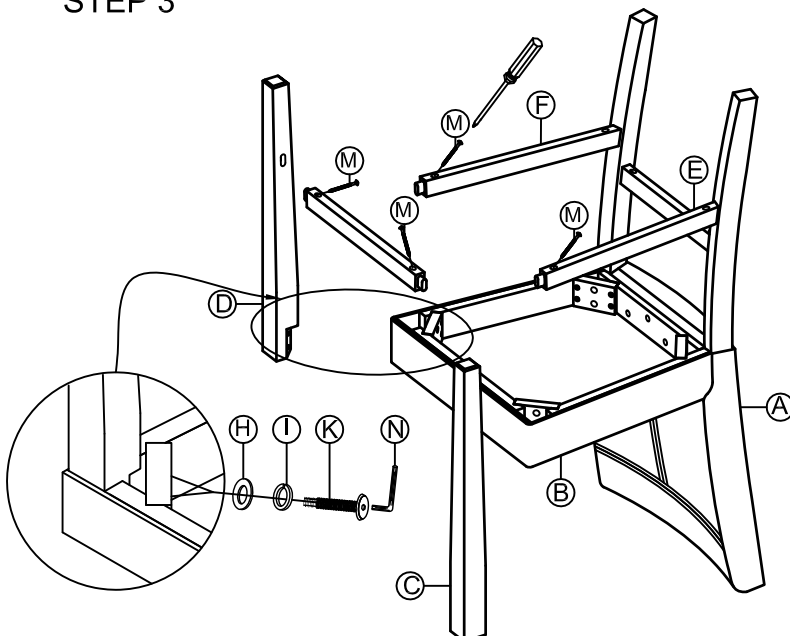
### STEP 1



### STEP 2



### STEP 3



#### TOOLS NOT REQUIRED

Phillips Screwdriver

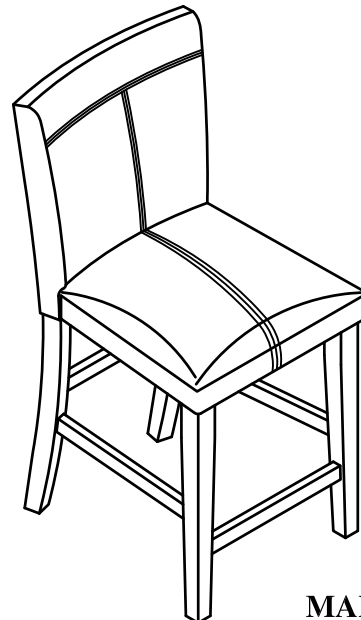


#### PARTS LIST FOR 2 CHAIRS :

NO.	DESCRIPTION	SKETCH	QTY
A	Chair Back Frame		2 pcs
B	Seat Frame		2 pcs
C	Left Front Leg		2 pcs
D	Right Front Leg		2 pcs
E	Left Side Stretcher		2 pcs
F	Right Side Stretcher		2 pcs
G	Front Stretcher		2 pcs

#### HARDWARE LIST FOR 2 CHAIRS :

NO.	DESCRIPTION	SIZE	SKETCH	QTY
H	Flat Washer	$\phi 5/16"$ x $\phi 19$ mm		22 pcs
I	Spring Washer	$\phi 5/16"$ x $\phi 13$ mm		22 pcs
J	Short Bolt	$\phi 1/4"$ x 38mm		6 pcs
K	Middle Bolt	$\phi 1/4"$ x 57mm		8 pcs
L	Long Bolt	$\phi 1/4"$ x 85mm		8 pcs
M	Screw	$\phi 8$ mm x $\phi 4$ mm x 50mm		12 pcs
N	Allen key	58mm x 23mm x 4mm		1 pc



MADE IN VIETNAM