

ASSEMBLY INSTRUCTIONS

ITEM NO: KA-BS-669L-RAI-K24

LADDER BACK BARSTOOL

Thank you for purchasing this quality product. Be sure to check all packing material carefully for small parts that may have come loose inside the carton during shipment. Please keep all hardware out of reach of small children

TOOLS NOT REQUIRED

Phillips Screwdriver



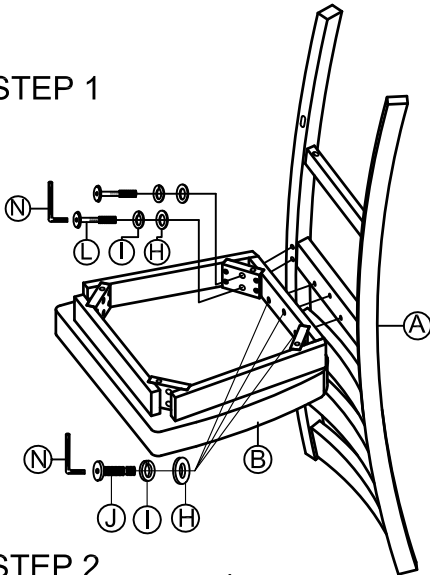
PARTS LIST FOR 2 CHAIRS:

NO.	DESCRIPTION	SKETCH	QTY
A	Chair Back Frame		2 pcs
B	Seat Frame		2 pcs
C	Left Front Leg		2 pcs
D	Right Front Leg		2 pcs
E	Left Side Stretcher		2 pcs
F	Right Side Stretcher		2 pcs
G	Front Stretcher		2 pcs

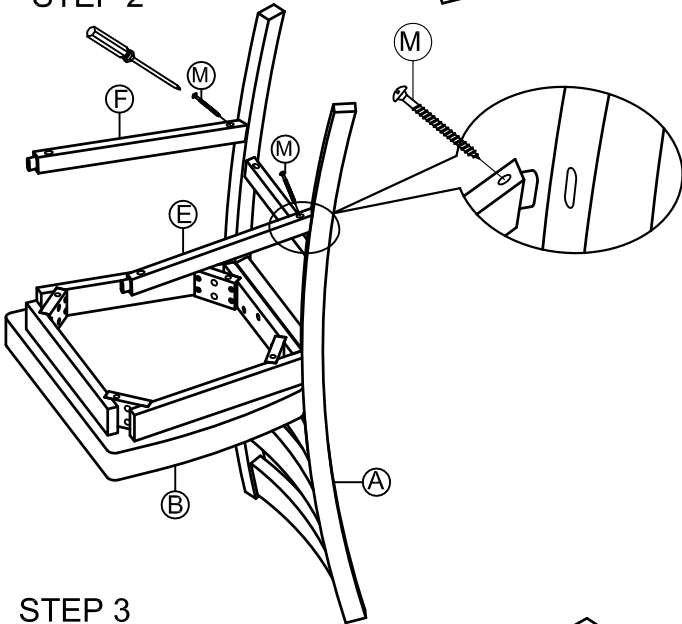
HARDWARE LIST FOR 2 CHAIRS :

NO.	DESCRIPTION	SIZE	SKETCH	QTY
H	Flat Washer	$\phi 5/16"$ x $\phi 19$ mm		22 pcs
I	Spring Washer	$\phi 5/16"$ x $\phi 13$ mm		22 pcs
J	Short Bolt	$\phi 1/4"$ x 38mm		6 pcs
K	Hex Nut	$\phi 5/16"$ x 12mm		8 pcs
L	Long Bolt	$\phi 1/4"$ x 85mm		8 pcs
M	Screw	$\phi 8$ mm x $\phi 4$ mm x 50mm		12 pcs
N	Allen key	58mm x 23mm x 4mm		1 pc
O	Wrench	12mm x 75mm		1 pc

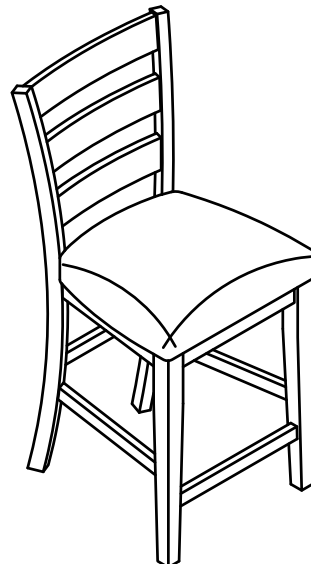
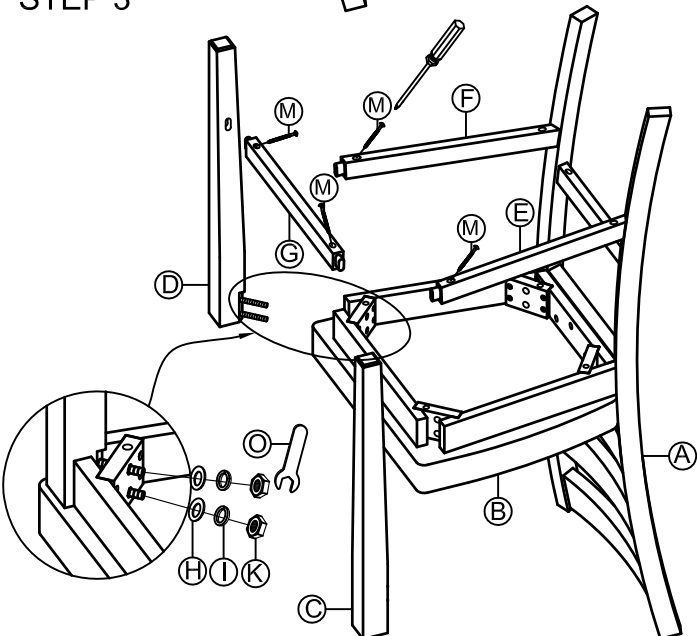
STEP 1



STEP 2



STEP 3



MADE IN VIETNAM