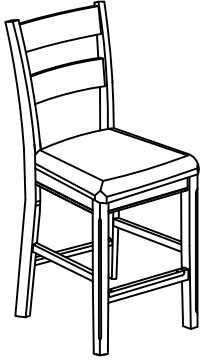


ASSEMBLY INSTRUCTION

For Model:

FD-BS-169C-CNT-K24

Description: 24" B/S, Ladder Back w/Cushion Seat



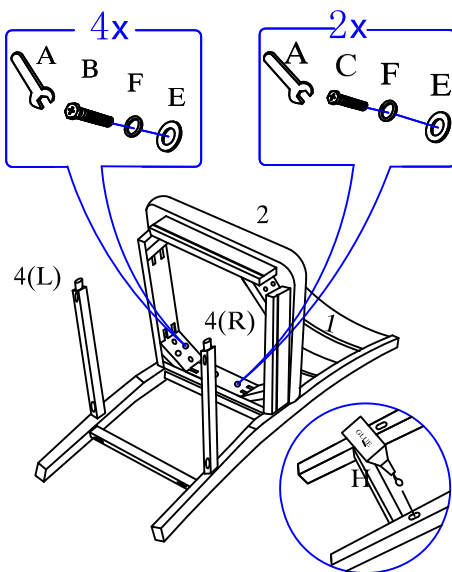
IMPORTANT NOTE:

- .Place all wooden parts on a clean and smooth surface such as a rug or carpet to avoid the parts from being scratched.
- .Check to be sure that you have all parts and hardware.
- .Remove all wrapping materials ,including staples & packing straps before you start to assemble.
- .Do not tighten all screws/bolts until all completely assembled.
- .Keep all hardware parts out of reach of children.

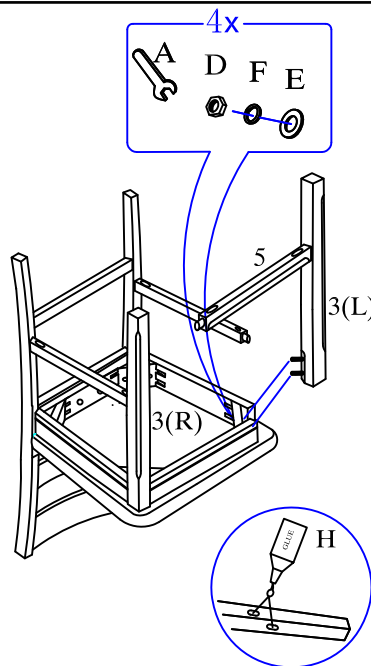
COMPONENT LIST		
NO	DESCRIPTION	QTY
1	CHAIR BACK	1 PC
2	BOX FRAME+ CUSHION SEAT	1 PC
3	FRONT LEG(Left & Right)	2 PCS
4	SIDE STRETCHER(Left & Right)	2 PCS
5	FRONT STRETCHER	1 PC

HARDWARE LIST		
ITEM	DESCRIPTION	QTY
A	Wrench	1 PC
B	Bolt 5/16"*82mm	4 PCS
C	Bolt 5/16"*38mm	2 PCS
D	Nut 5/16"*6mm	4 PCS
E	Flat Washer	10 PCS
F	Spring Washer	10 PCS
G	Screw 44mm	6 PCS
H	Glue Bottle	1 PC

step:1



step:2



step:3

