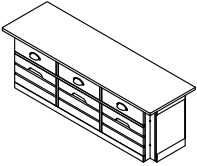
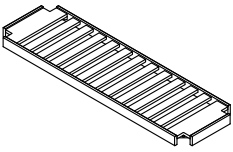
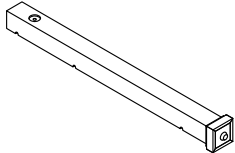
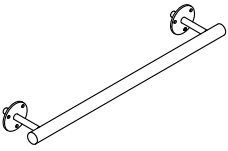


ASSEMBLY INSTRUCTIONS




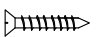


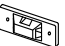

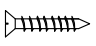
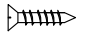
ITEM NO : DT-CA-6018-CCR-C

Thank you for purchasing this quality product. Be sure to check all packing material carefully for small parts that may have come loose inside the carton during shipment. Please keep all hardware out of reach of small children

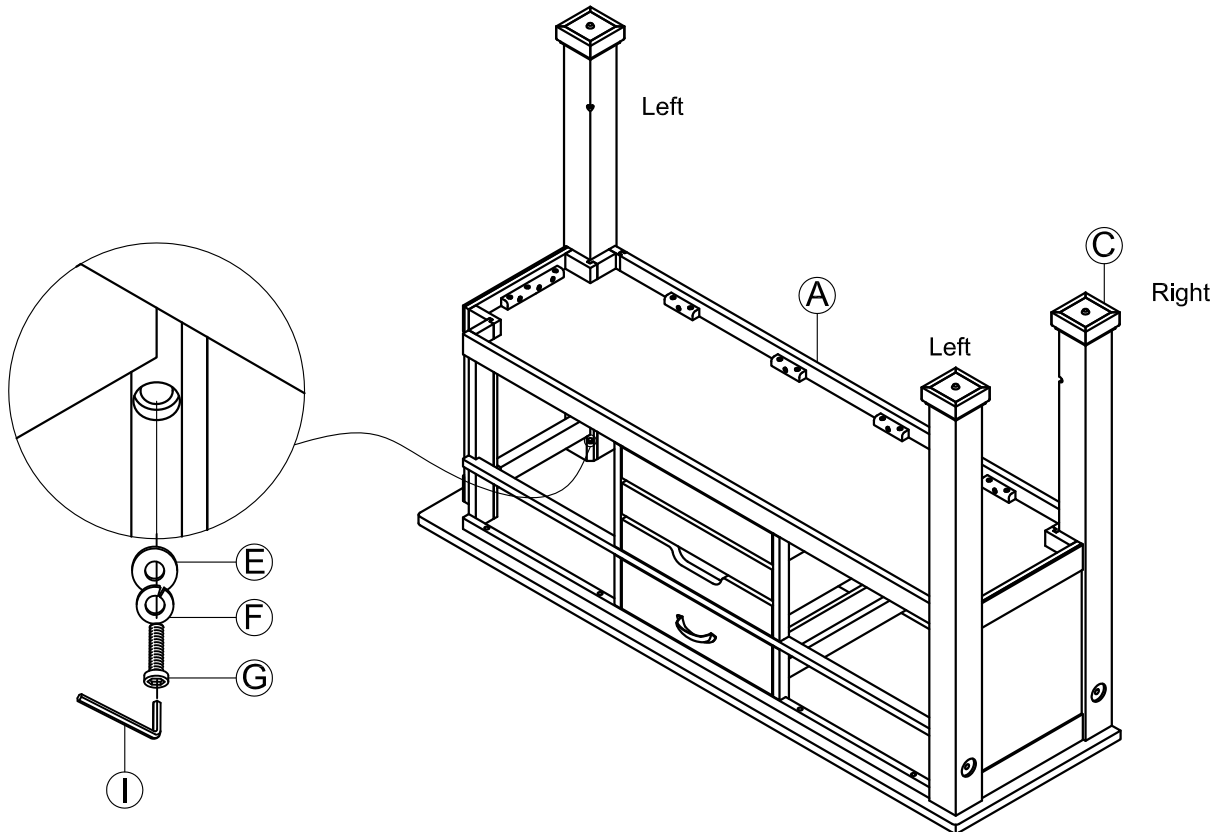
PARTS LIST :

NO.	DESCRIPTION	SKETCH	QTY
A	Sideboard		1 pc
B	Bottom Shelf		1 pc
C	Leg Left & Right		4 pcs
D	Hanger Bar		2 pcs

HARDWARE LIST :

NO.	DESCRIPTION	SIZE	SKETCH	QTY
E	Flat Washer	φ5/16"x φ12mm		12 pcs
F	Spring Washer	φ5/16"x φ12mm		12 pcs
G	Long Bolt	φ1/4"x 55mm		12 pcs
H	Screw	φ7xφ3.5x16mm		12 pcs
I	Allen Key			1 pcs
J	Wall Mounts	φ9x27mm		4 pcs
K	Mounting Plates	47x22x9mm		4 pcs
L	Secure Band	310x12x8mm		2 pcs
M	Screw	φ7xφ3.5x25mm		4 pcs
N	Screw	φ7xφ3.5x16mm		4 pcs

STEP 1

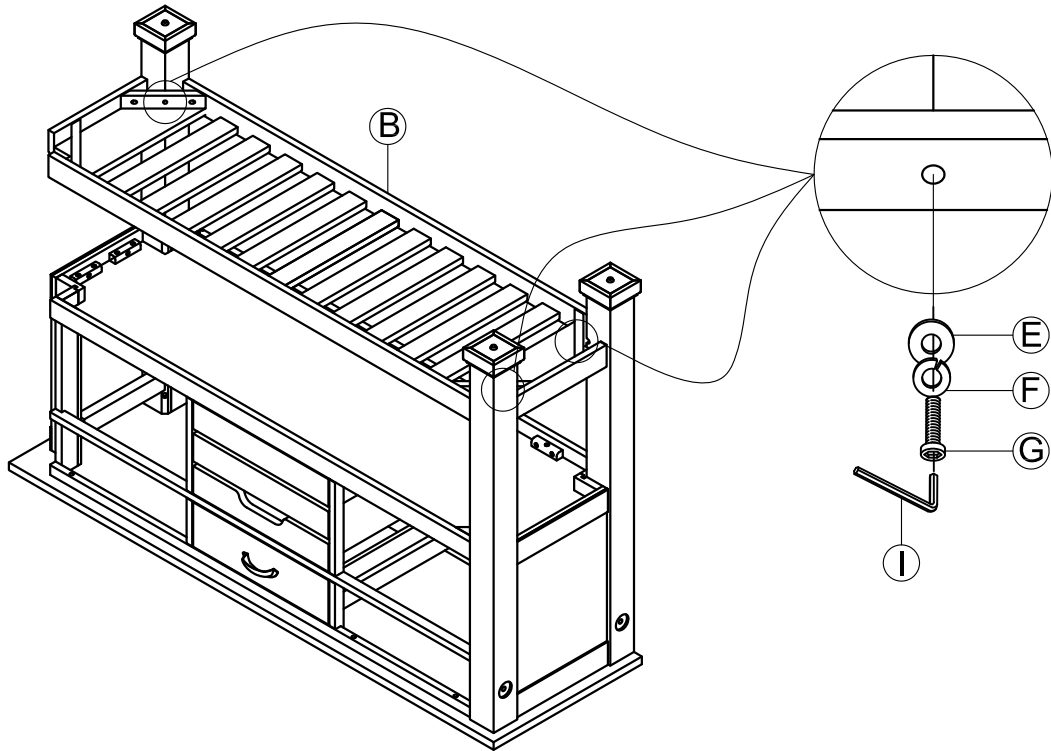


MADE IN VIETNAM

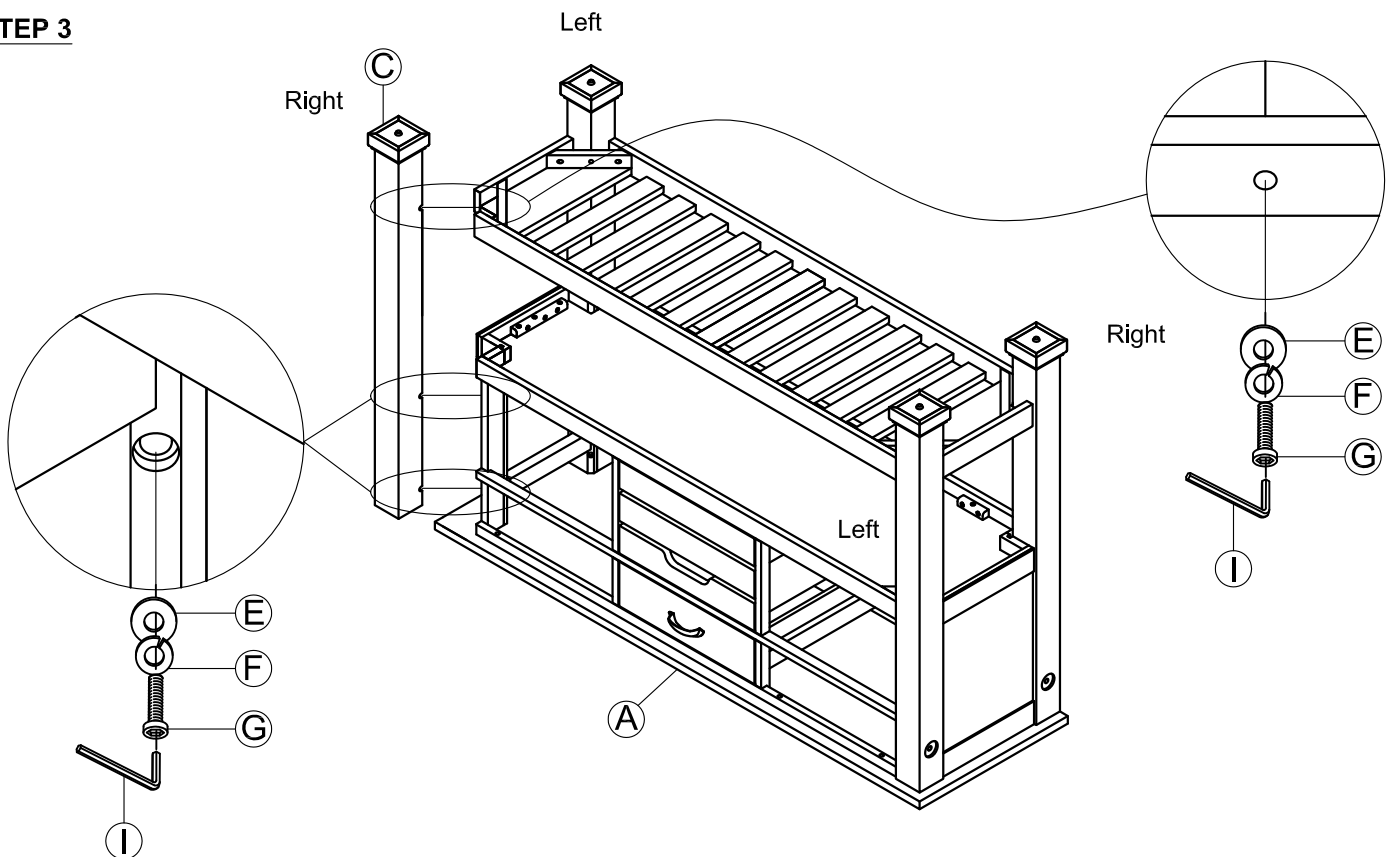
ASSEMBLY INSTRUCTIONS

ITEM NO : DT-CA-6018-CCR-C

STEP 2



STEP 3

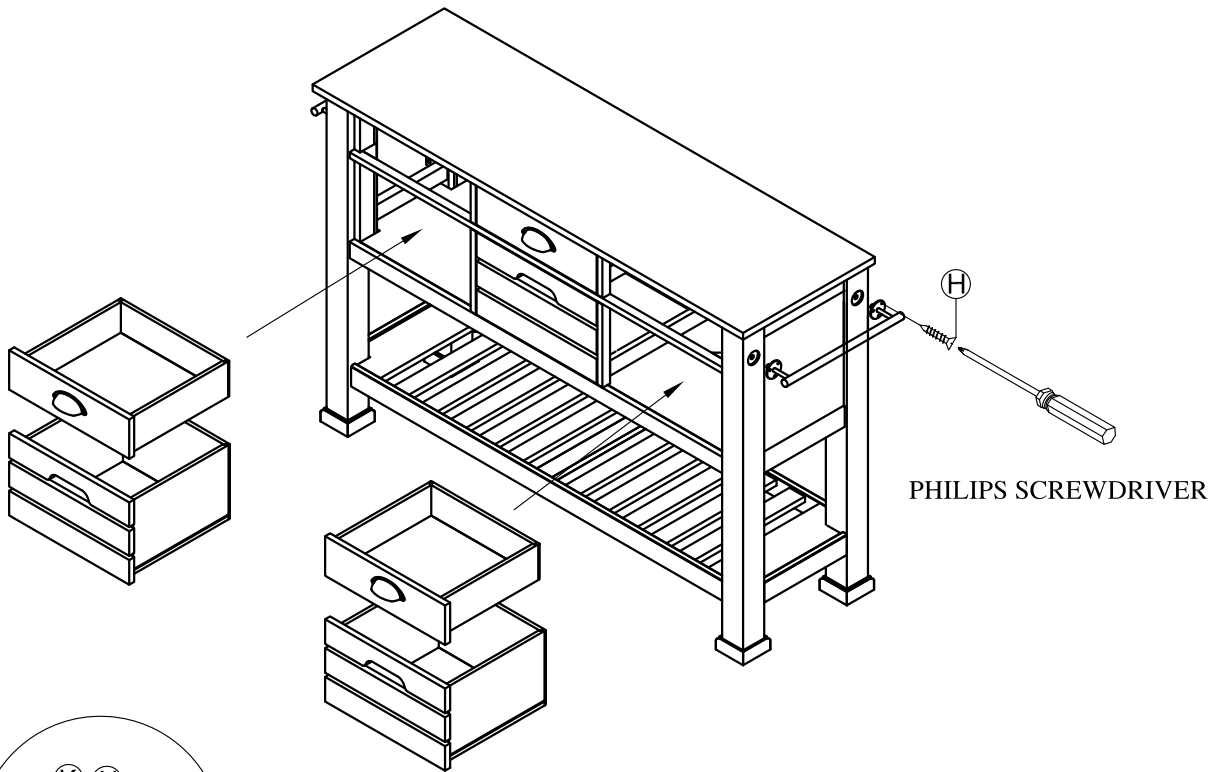


MADE IN VIETNAM

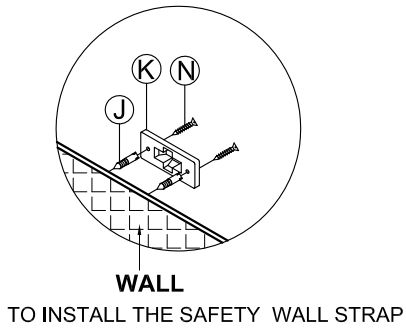
ASSEMBLY INSTRUCTIONS

ITEM NO : DT-CA-6018-CCR-C

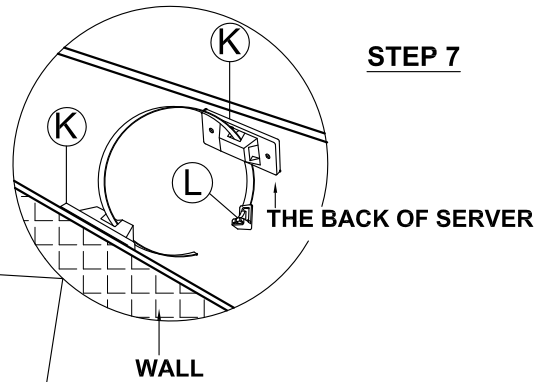
STEP 4



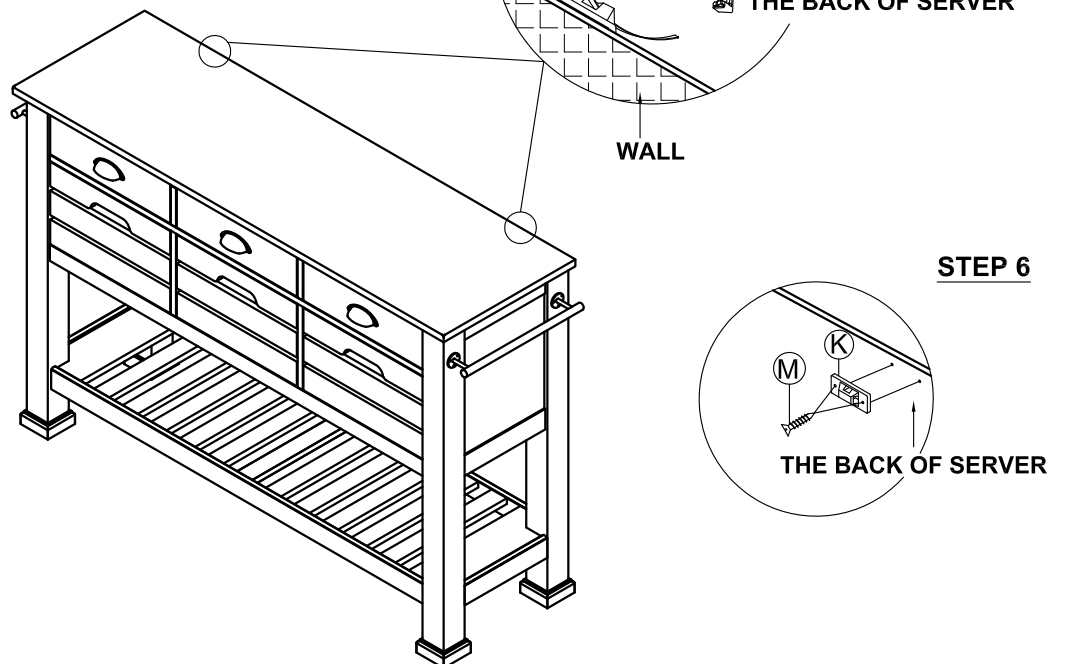
STEP 5



STEP 7



STEP 6



MADE IN VIETNAM