

# ASSEMBLY INSTRUCTIONS

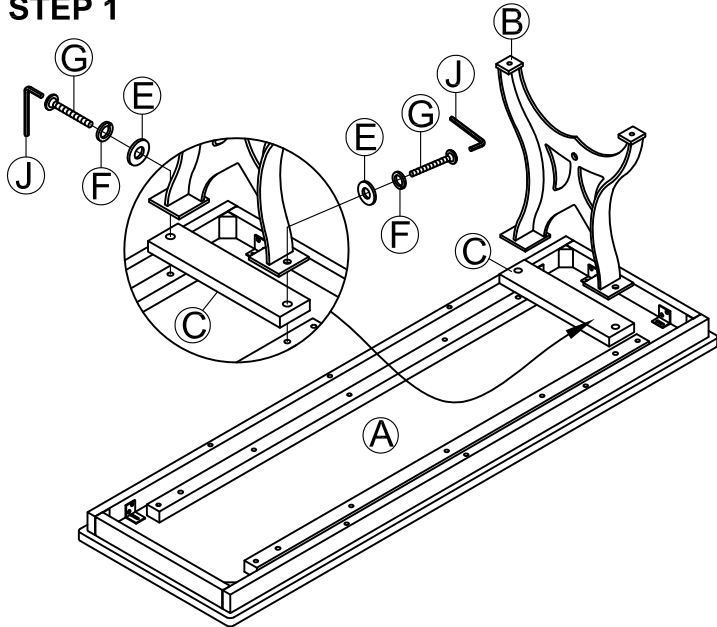
ITEM NO: DT-CH-5417B-CCR-RTA

54" BACKLESS BENCH

Thank you for purchasing this quality product. Be sure to check all packing material carefully for small parts that may have come loose inside the carton during shipment.

Please keep all hardware out of reach of small children

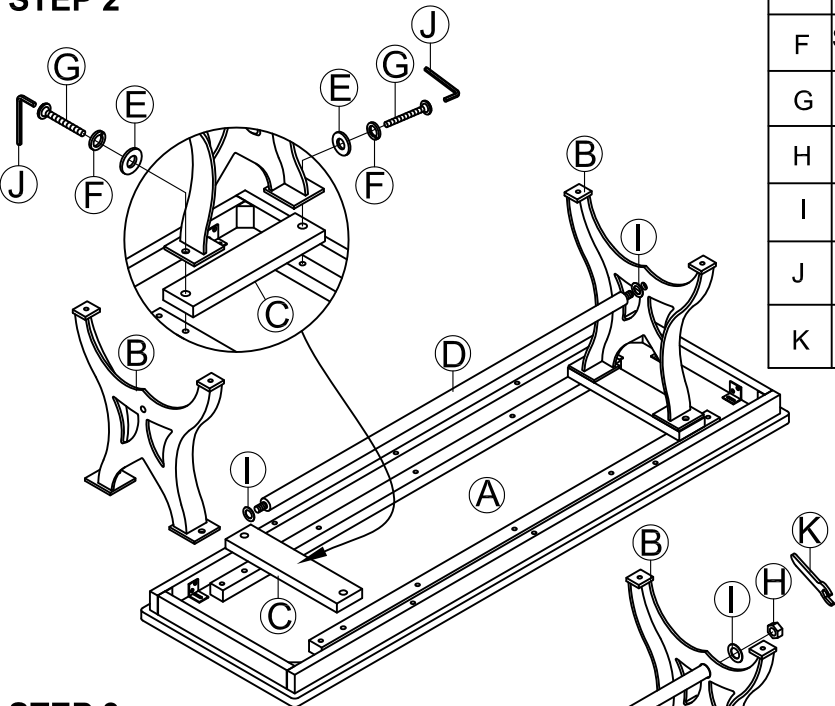
## STEP 1



## PARTS LIST:

NO.	DESCRIPTION	SKETCH	QTY
A	Seat Frame		1 pc
B	Metal Legs		2 pcs
C	Mounting Plate		2 pcs
D	Metal Pipe		1 pc

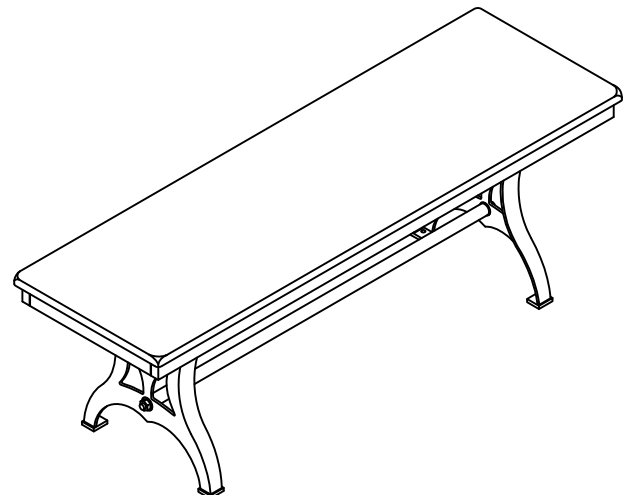
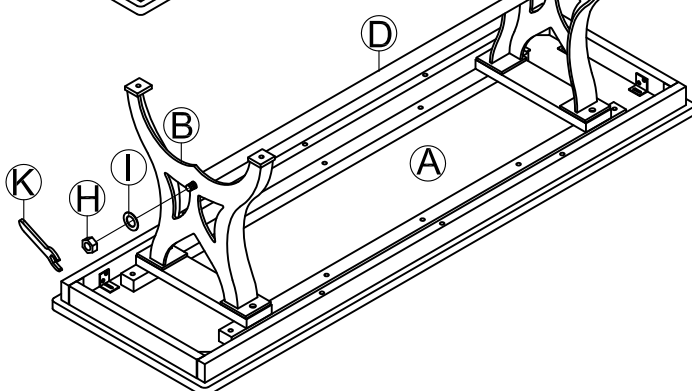
## STEP 2



## HARDWARE LIST:

NO.	DESCRIPTION	SIZE	SKETCH	QTY
E	Flat Washer	$\phi 5/16$ "x $\phi 19$ mm		4 pcs
F	Spring Washer	$\phi 5/16$ "x $\phi 12$ mm		4 pcs
G	Short Bolt	$\phi 1/4$ "x50mm		4 pcs
H	Hex Nut	$\phi 1/2$ "x21mm		2 pcs
I	Flat Washer	$\phi 1/2$ "x $\phi 30$ mm		4 pcs
J	Allen key	58mmx23mmx4mm		1 pc
K	Wrench	22mmx100mm		1 pc

## STEP 3



MADE IN VIETNAM