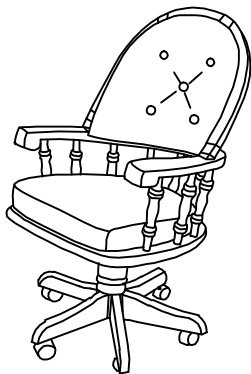


ASSEMBLY INSTRUCTIONS

MODEL CO-CH-2405-BDK-RTA
 CO-CH-2405-LGT-RTA
 CO-CH-2501-LGT-SU
 CO-CH-2501-DRK-SU



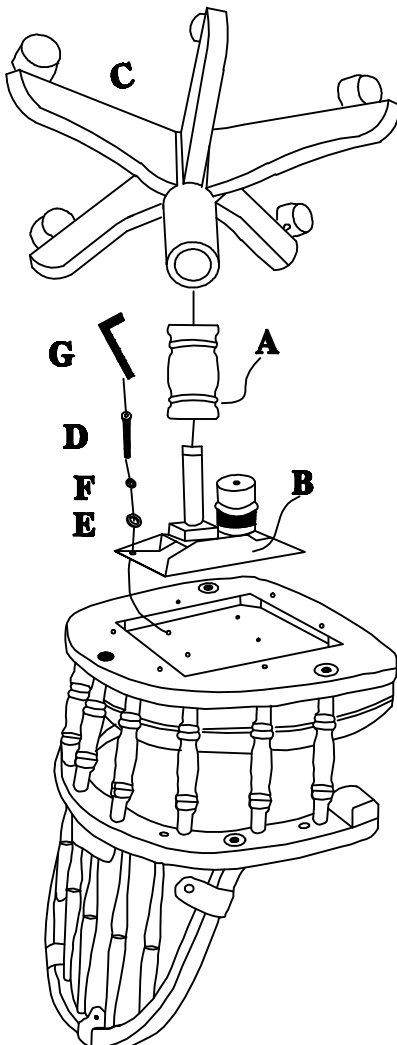
Thank you for purchasing this quality product. Carefully check all packing material for small parts which may have come loose inside the carton during shipment. Keep all hardware out of the reach of small children. Study all the instructions and drawings carefully before assembly. Check that all connections are tight and the product does not wobble before using

NOTE





PLEASE FOLLOW THE ASSEMBLY INSTRUCTION BASE ON WHAT MODEL THAT YOU PURCHASED HARDWARE QUANTITY IS FOR ONE PIECE OF CHAIR

PARTS CHECKLIST

A	WOOD COLUMN	1
B	BASE PLATE	1
C	CASTOR	5



HARDWARE CHECK LIST

ITEM	PART NAME	QTY
D	BOLT 	4
E	FLAT WASHER 	4
F	LOCK WASHER 	4
G	ALLEN WRENCH 	1

1. Insert the castors into the base frame

2. turn over the top of the chair and secure the base plate to the seat frame with 4 bolts & 4 flat washers & 4 lock washers with allen wrench supplied

3. Slide the wood column over the metal tube, and then insert the cylinder of the plate into the chair base

Check that all connections are tight and the product does not wobble before using