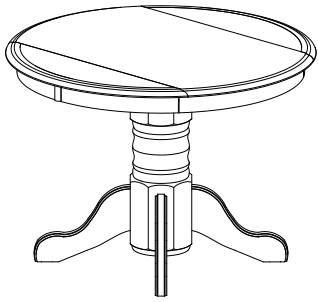


Assembly Instructions



Thank you for purchasing this quality product. Carefully check all packing material for small parts which may have come loose inside the carton during shipment. Keep all hardware out of the reach of children. Study all of the instructions and drawings carefully before assembly. Check that all of the connections are tight and the product does not wobble before using.

Model: CO-TA-42D-BRU-BSE

42" Drop Leaf Pedestal Base

Model: CO-TA-42D-BRU-TOP

42" Drop Leaf Top

Step 1. Turn the pedestal up side down. Do not remove the plastic bolt protectors for this step.




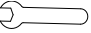
Step 2. Attach the table feet to the pedestal by using 8 nuts, 8 lock washers & 8 flat washers supplied. Tighten all nuts firmly.

Step 3. Turn the assembled pedestal right side up and place it in your desired location. Adjust the leg levelers at the bottom of each leg so that the pedestal remains solid without rocking. Remove the plastic bolt protectors before doing the next step.

Step 4. Place the table top over the pedestal, align the holes in the table mounting boards with the bolts on the pedestal. Set the table down on the top of the pedestal.

Step 5. Put on the washers and nuts for each pedestal bolt as shown. Tighten the nuts firmly with the wrench included.

Check that all legs are tight and the table does not wobble before using.

HARDWARE CHECK LIST	
Quantity	PART NAME
12	Nut 
12	Flat Washer 
12	Lock Washer 
1	Wrench 

PARTS CHECK LIST	
Quantity	PART NAME
1	Top
4	Feet
1	Pedestal

Figure 1

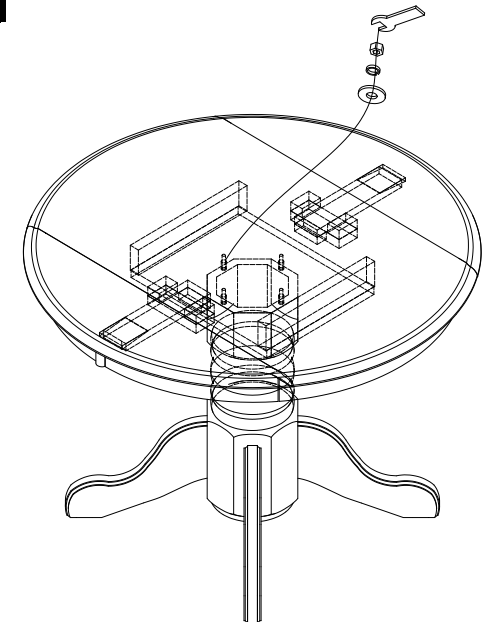
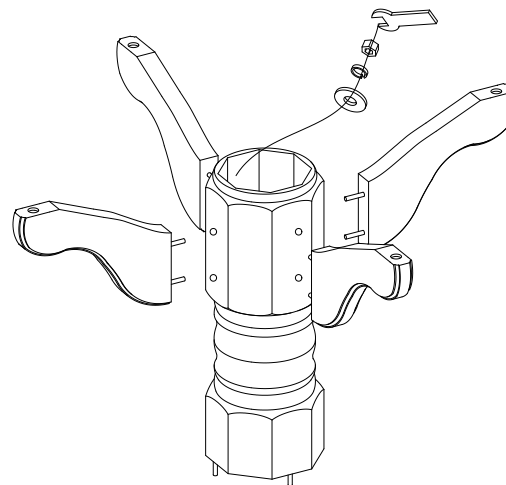


Figure 3