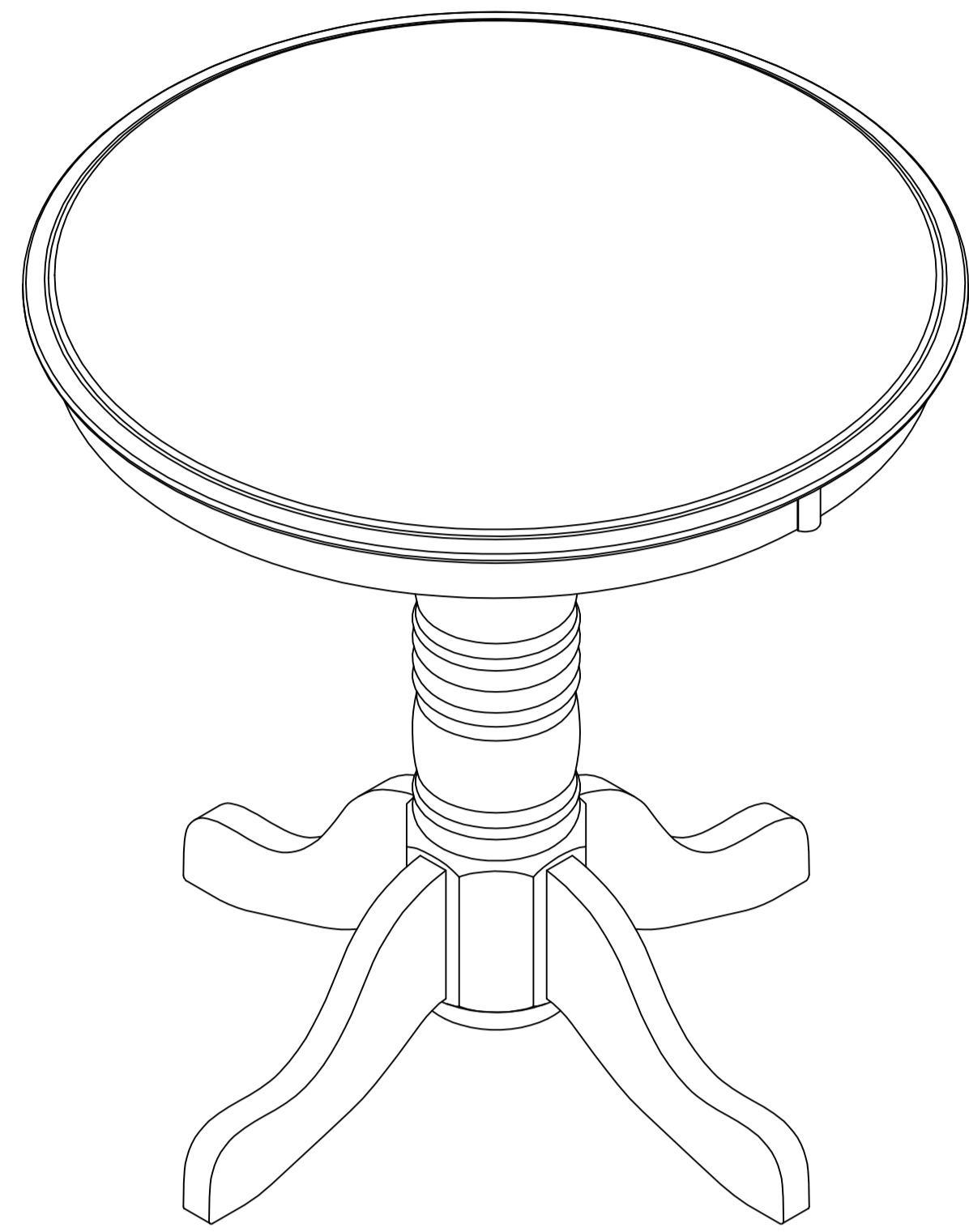


Assembly Instructions

Item No.: CO-TA-B3636P-CNT

Description: 36" ROUND PUB TABLE





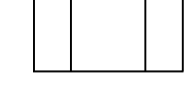

IMPORTANT NOTES:

- Place all wooden parts on a clean and smooth surface such as a rug or carpet to prevent the parts from being scratched.
- Check to be sure that you have all parts and hardware.
- Remove all wrapping materials, including staples and packing straps before you start to assemble.
- Do not tighten all screws and bolts until completely assembled.
- Keep all hardware out of the reach of children.

PARTS LIST

NO.		QTY
1	TABLE TOP	1
2	FEET	4
3	PEDESTAL	1

HARDWARE LIST

NO.			SIZE	QTY
A	FLAT WASHERS		5/16x3/4	12
B	SPRING		5/16x1/2	12
C	NUT			12
D	WRENCH			1

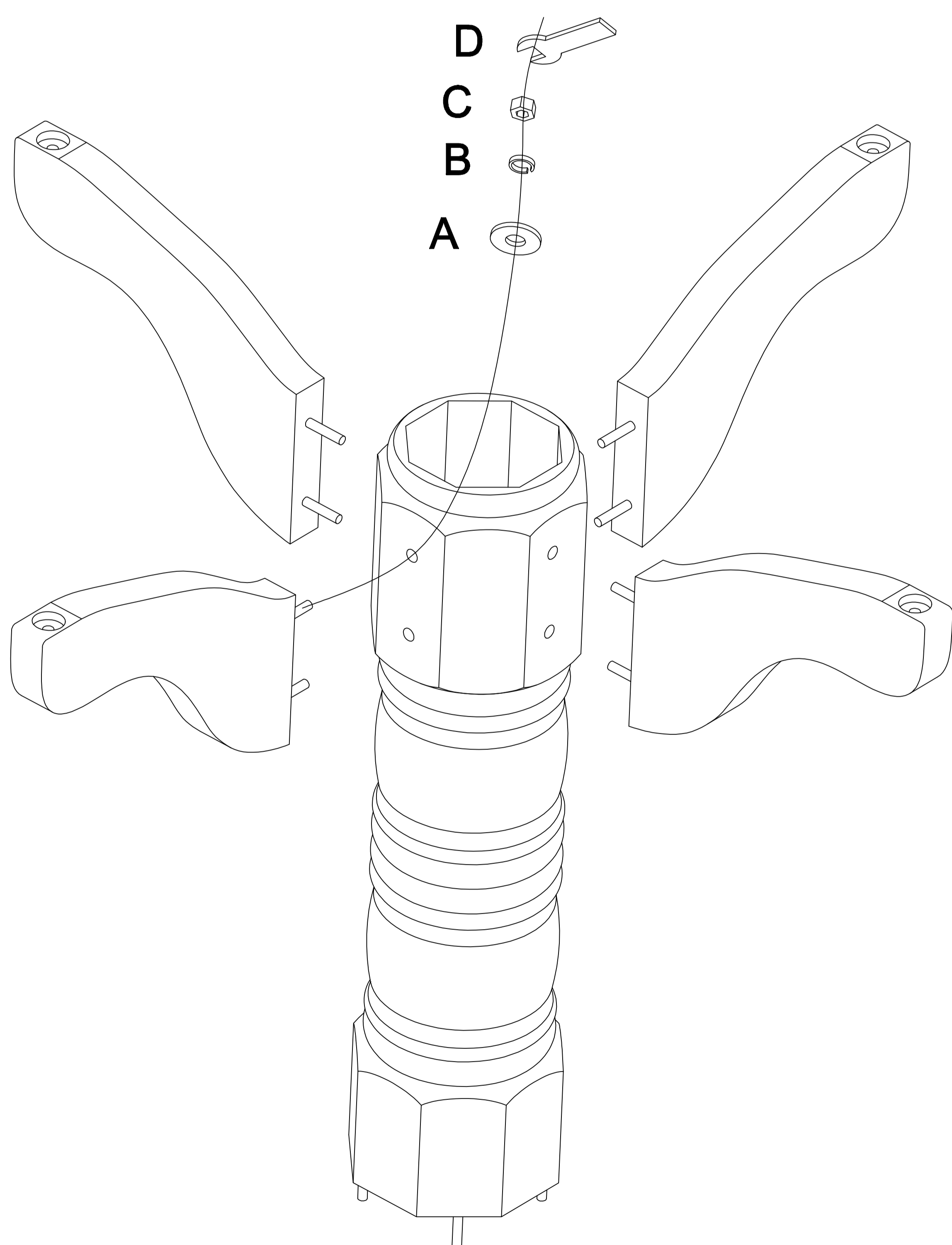


Figure 1

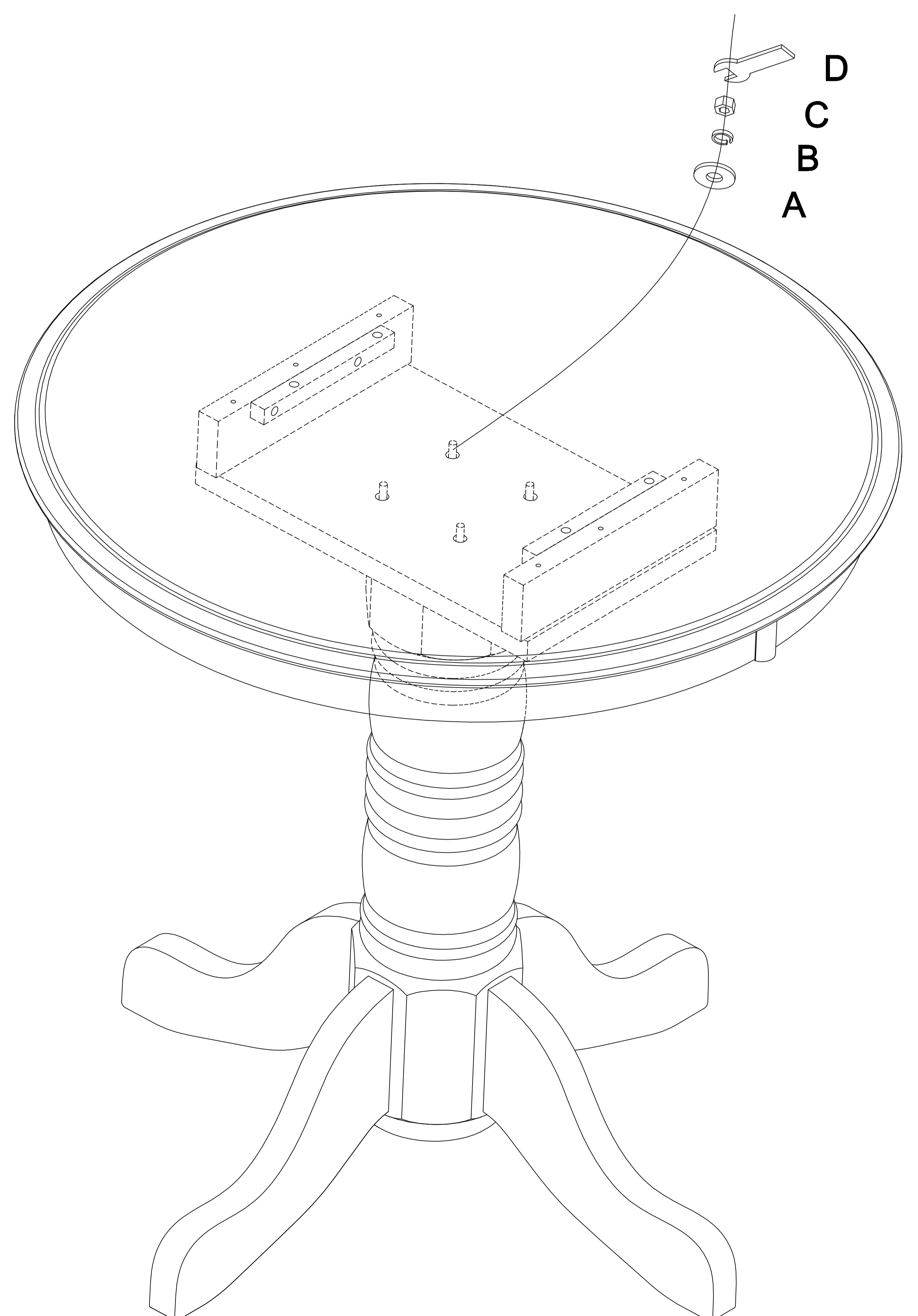


Figure 2