



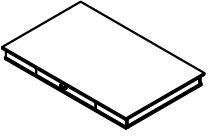
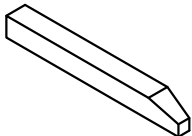
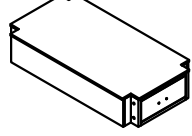
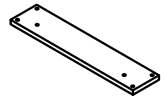
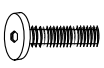
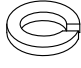



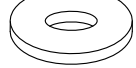
INTERCON
FURNITURE FOR LIFE

ASSEMBLY INSTRUCTIONS

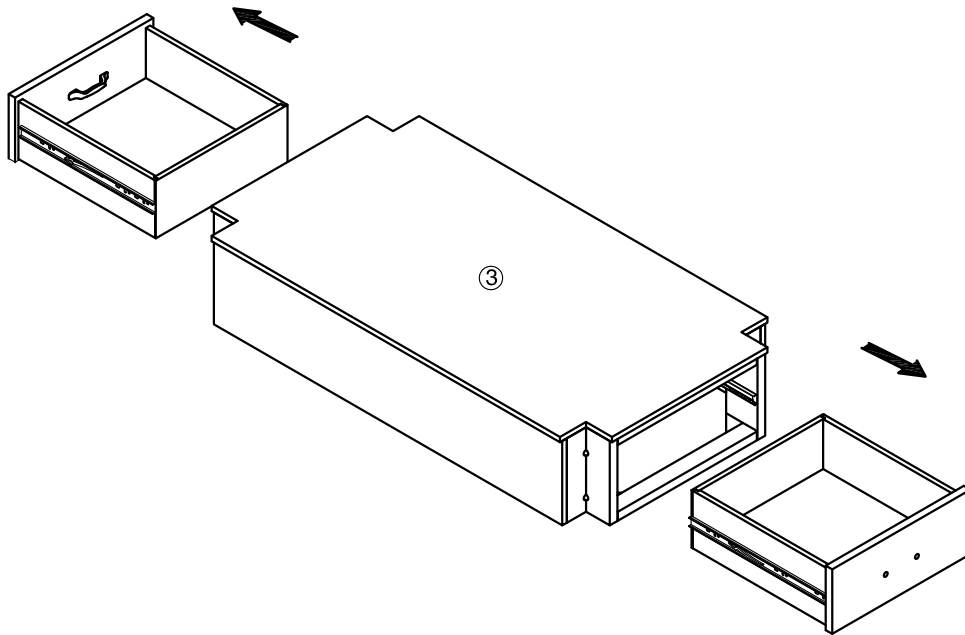
DESCRIP: COUNTER TABLE TOP 42"x 66"
COUNTER TABLE BASE 42"x 66"

ITEM: BF-TA-4266G-AWG-TOP
BF-TA-4266G-AWG-BSE

Thank you for purchasing this quality product. Be sure to check all packing material carefully for small parts which may have come loose inside the carton during shipment. Identify and count all parts and compare with the parts list below. Please keep all hardware out of reach of small children.

<p>1</p>  <p>TABLE TOP (x1)</p>	<p>2</p>  <p>TABLE LEG (x4)</p>	<p>3</p>  <p>TABLE BASE (x1)</p>	<p>4</p>  <p>MOUNTING PLATE (X2)</p>		
<p>A</p>  <p>SHORT BOLT Ø5/16"x 55mm (x12)</p>	<p>B</p>  <p>SPRING WASHER Ø5/16"x Ø12mm (x20)</p>	<p>C</p>  <p>SMALL FLAT WASHER Ø5/16"x Ø14mm (x8)</p>	<p>D</p>  <p>ALLEN KEY 58x 23mm (x1)</p>	<p>E</p>  <p>LONG BOLT Ø5/16"x 95mm (x8)</p>	<p>F</p>  <p>FLAT WASHER Ø5/16"x Ø19mm (x12)</p>

STEP 1



ASSEMBLY TIPS:

- 1.Remove hardware from box and sort by size.
- 2.Please check to see that all hardware and parts are present prior start of assembly.
- 3.Please follow attached instructions in the same sequence as numbered to assure fast and easy assembly.

WARNING

- 1.Don't attempt to repair or modify parts that are broken or defective. Please contact the store immediately.
- 2.This product is for home use only and not intended for commercial establishments.



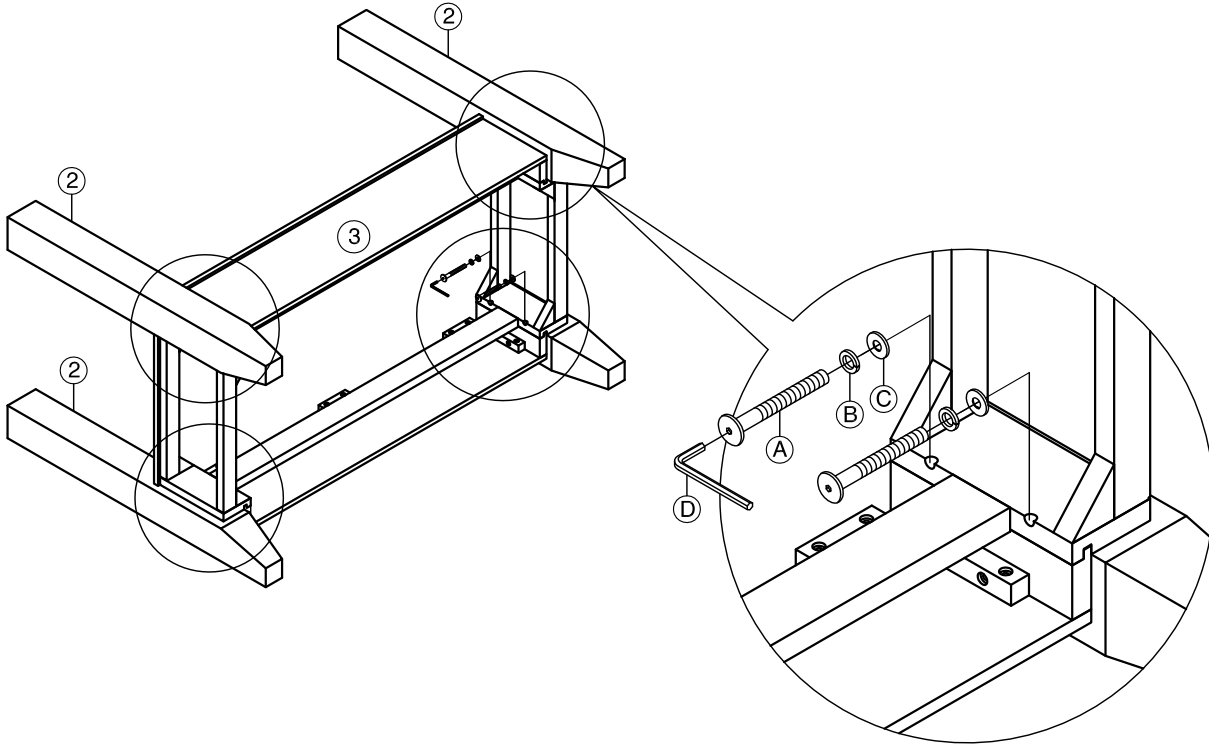
ASSEMBLY INSTRUCTIONS

DESCRIP: COUNTER TABLE TOP 42"x 66"
COUNTER TABLE BASE 42"x 66"

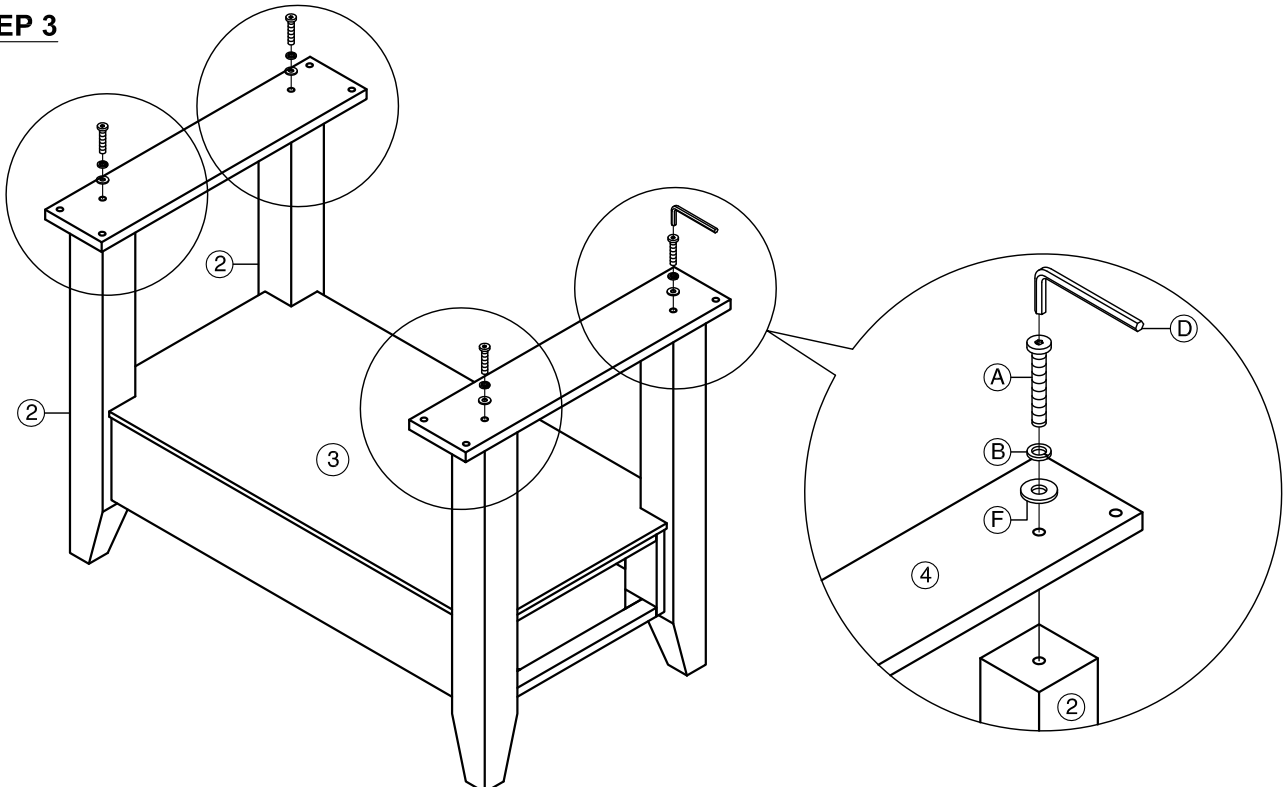
ITEM: BF-TA-4266G-AWG-TOP
BF-TA-4266G-AWG-BSE

Thank you for purchasing this quality product. Be sure to check all packing material carefully for small parts which may have come loose inside the carton during shipment. Identify and count all parts and compare with the parts list below. Please keep all hardware out of reach of small children.

STEP 2



STEP 3





INTERCON
FURNITURE FOR LIFE

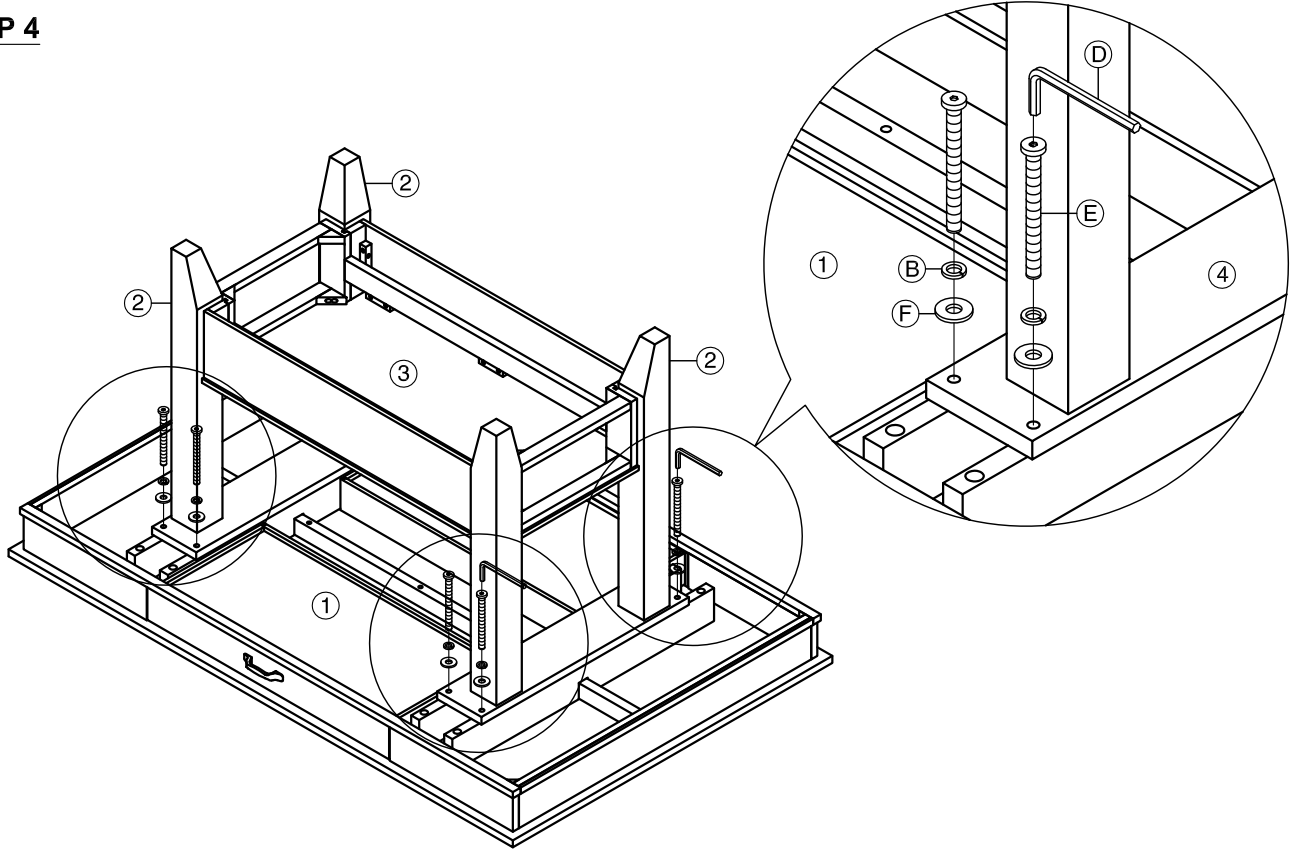
ASSEMBLY INSTRUCTIONS

DESCRIP: COUNTER TABLE TOP 42"x 66"
COUNTER TABLE BASE 42"x 66"

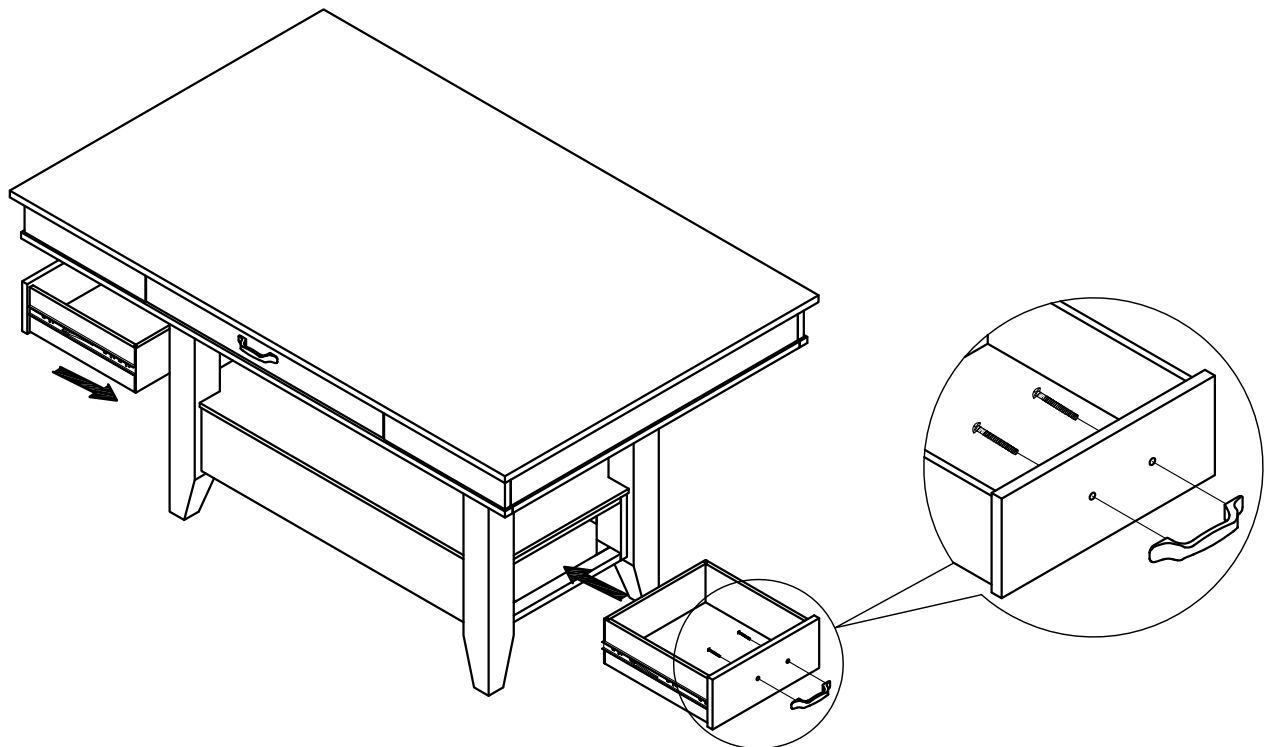
ITEM: BF-TA-4266G-AWG-TOP
BF-TA-4266G-AWG-BSE

Thank you for purchasing this quality product. Be sure to check all packing material carefully for small parts which may have come loose inside the carton during shipment. Identify and count all parts and compare with the parts list below. Please keep all hardware out of reach of small children.

STEP 4



STEP 5



ASSEMBLY INSTRUCTIONS FOR DRAWER REMOVAL AND REINSTALL FOR CASEGOODS

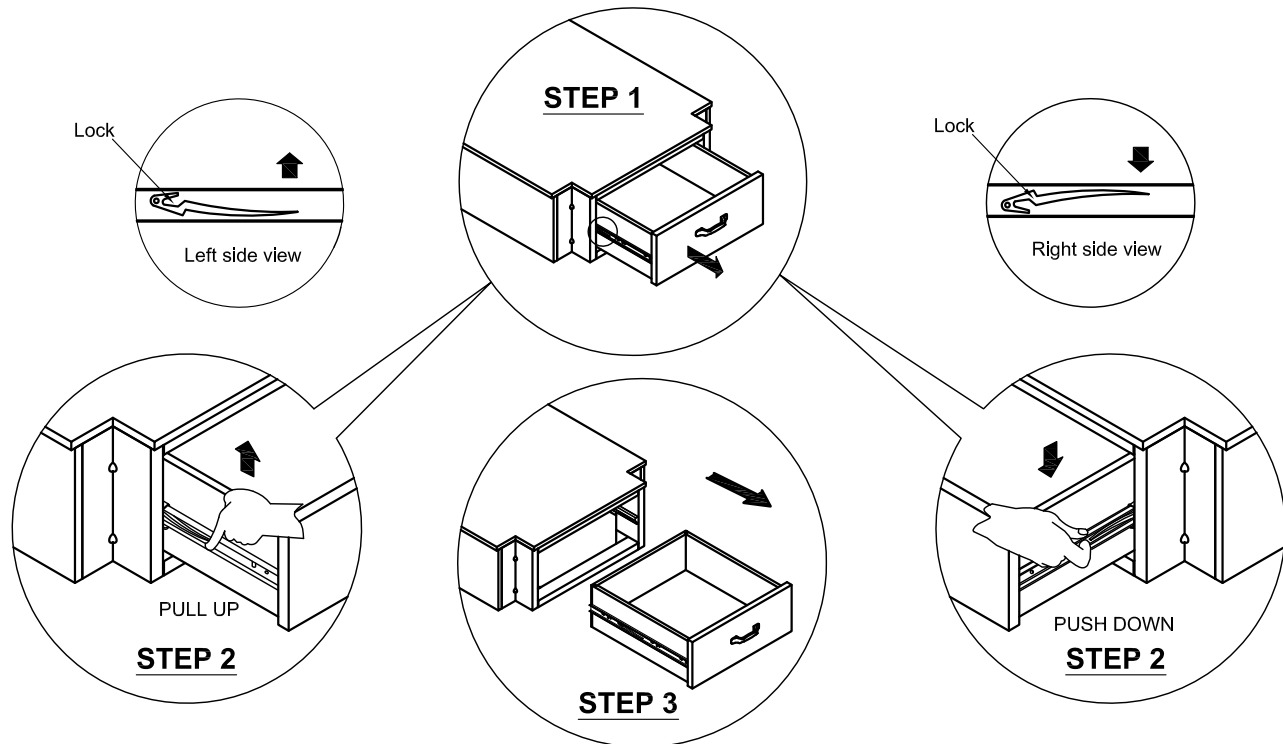
TO REMOVE DRAWER:

STEP 1 : EXTEND THE BOX DRAWER TO ITS FULL EXTENSION

STEP 2 : LOCATE THE DRAWER SLIDE LOCK ON EACH SIDE OF THE DRAWER BOX.

PULL UP THE LOCK ON THE LEFT SIDE OF THE DRAWER BOX AND PUSH DOWN THE LOCK ON THE RIGHT SIDE OF THE DRAWER BOX IN THE SAME TIME AND PULL DRAWER STRAIGHT OUT UNTIL SLIDE DRAWER MEMBERS DISENGAGE FROM CABINET MEMBERS.

STEP 3 : REMOVE THE DRAWER



TO REINSTALL DRAWER :

MAKE SURE THE DRAWER WILL BE RE-INSTALL TO ITS ORIGINAL POSITION

STEP 1 : INSERT DRAWER BY PULLING TRACK ON THE LEFT AND RIGHT CABINET MEMBERS ALL THE WAY FORWARD (INCLUDING BALL BEARING RACK)

STEP 2 : ALIGN TRACKS ON DRAWER WITH SLIDERS AND PUSH IN THE DRAWER UNTIL THERE IS AUDIBLE "CLICK" SOUND

STEP 3 : CHECK FOR PROPER ALIGNMENT BY INSPECTING DRAWER FRONT MARGINS FOR SPACING AND SQUARENESS.

OPEN AND CLOSE SLOWLY SEVERAL TIMES TO ENSURE THE PROPER INSTALLMENT. IF THERE IS ANY UNEVEN, PLEASE REPEAT STEP OF REMOVAL AND REINSTALL THE DRAWER

