

ASSEMBLY INSTRUCTION

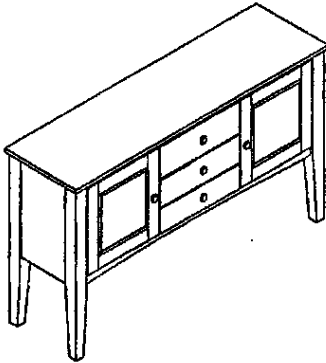
For Model :

AR - CA - 6035 - JAV - C

AR - CA - 6035 - BLJ - C

AR - CA - 6035 - WHJ - C

Description : Server



IMPORTANT NOTE :

- Place all wooden parts on a clean and smooth surface such as a rug or carpet to avoid the parts from being scratched.
- Check to be sure that you have all parts and hardware.
- Remove all wrapping materials, including staples & packing straps before you start to assemble.
- Do not tighten all screws / bolts until all completely assembled.
- Keep all hardware parts out of reach of children.

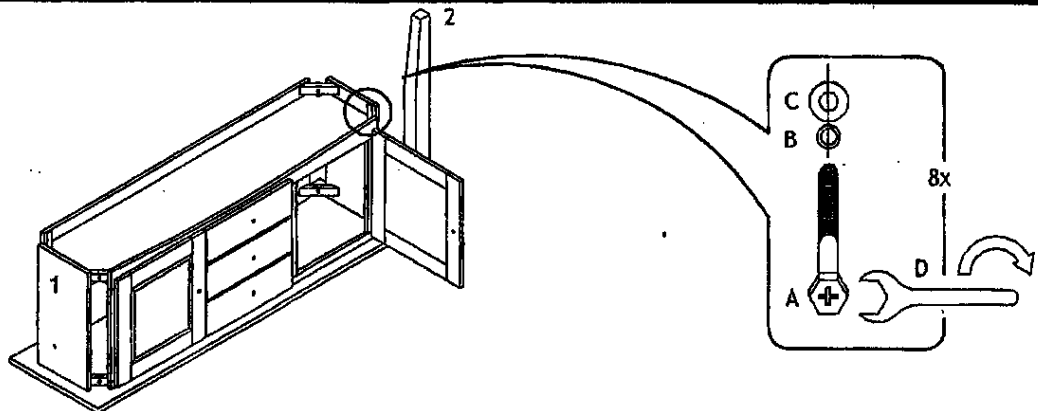
PARTS LIST

NO	DESCRIPTION	QTY
1	SERVER	1 PC
2	SERVER LEG	4 PCS
3	ADJUSTABLE SHELF	2 PCS

HARDWARE LIST

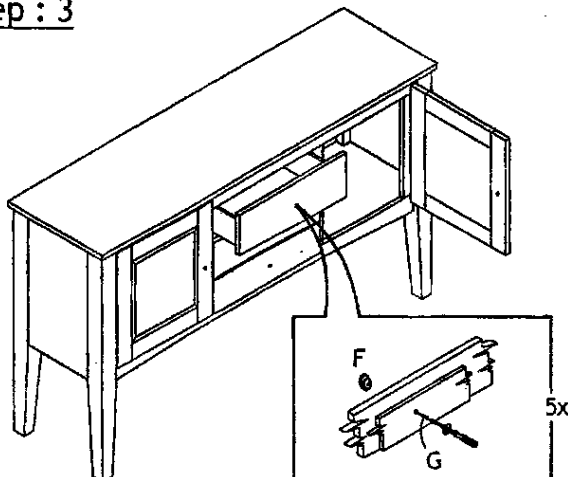
NO	DESCRIPTION	QTY
A	HEXAGON SCREW Ø8 x 64mm	8 PCS
B	SPRING WASHER Ø8 x 15mm	8 PCS
C	FLAT WASHER Ø8 x 22mm	8 PCS
D	WRENCH 12.8mm	1 PC
E	SHELF SUPPORT	8 PCS
F	WOODEN KNOB	5 PCS
G	KNOB SCREW	5 PCS

Step : 1



Step : 2 Place the server to up right position

Step : 3



Step : 4

