

ASSEMBLY INSTRUCTION

FOR MODEL : AR-BS-185-BLJ-K30

AR-BS-185-WHJ-K30

Description : 30" LATTICE BACK BAR STOOL



IMPORTANT NOTE :

- Place all wooden parts on a clean and smooth surface such as a rug or carpet to avoid the parts from being scratched.
- Check to be sure that you have all parts and hardware.
- Remove all wrapping materials, including staples & packing straps before you start to assemble.
- Do not tighten all screws / bolts until all completely assembled.
- Keep all hardware parts out of reach of children.

Each Chair

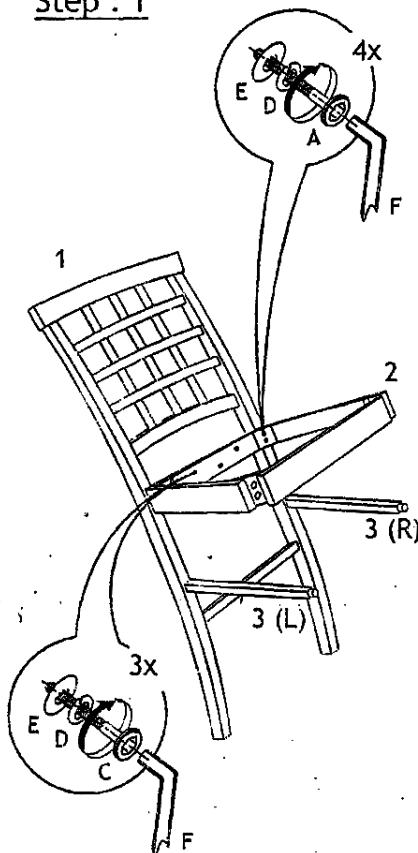
PARTS LIST

NO	DESCRIPTION	QTY
1	BACK REST	1 PC
2	BOX FRAME	1 PC
3	SIDE STRETCHER (LEFT & RIGHT)	2 PCS
4	FRONT STRETCHER (WITH MARKING)	1 PC
5	FRONT LEG (Left & Right)	2 PCS
6	WOODEN SEAT	1 PC

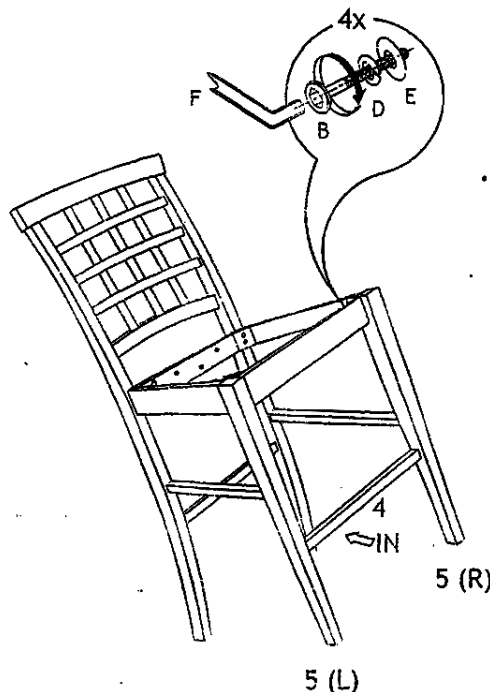
HARDWARE LIST

NO	DESCRIPTION	QTY
A	JCBC SCREW M6 x 80mm	4 PCS
B	JCBC SCREW M6 x 70mm	4 PCS
C	JCBC SCREW M6 x 40mm	3 PCS
D	SPRING WASHER 8 X 15	11 PCS
E	FLAT WASHER 8 X 22	11 PCS
F	ALLEN KEY M4	1 PC
G	CSK SCREW M4 X 38MM	10 PCS

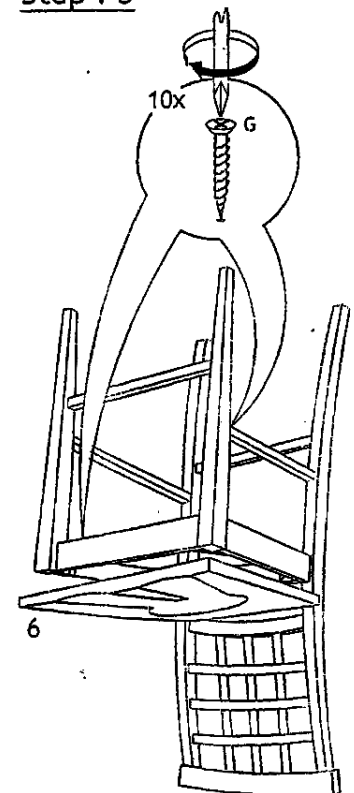
Step : 1



Step : 2



Step : 3



MADE IN MALAYSIA