

Assembly Instructions

for Queen bed , King bed

Thank you for purchasing this quality product. Carefully check all packing material for small parts which may have come loose inside the carton during shipment. Keep all hardware out of the reach of small children. Study all the instructions and drawings carefully before assembly. Check that all connections are tight and the product does not wobble before using.

1. Attach support legs to slats. (Figure 1)
 2. Attach side rails to Headboard and Footboard using Allen Wrench and Bolts. (Figure 2)
 3. Secure slats to rails with screws. (Figure3)
 4. Put cover panels onto slats. (Figure3)
- Make sure all connections are tight and the bed does not wobble before using.

PARTS CHECK LIST

ITEM	PART NAME	Queen bed	King bed
A	HEADBOARD	1	1
B	FOOTBOARD	1	1
C	SLAT GROUP	1	1
D	RAIL	2	2
E	COVER PANEL	1	1
F	SUPPORT	6	12

HARDWARE CHECK LIST

ITEM	PART NAME	Queen bed	King bed
G	BOLT	8	8
H	CURVED WASHER	8	8
I	LOCK WASHER	8	8
J	NUT	8	8
K	SPANNER WRENCH	1	1
L	SCREW	28	28

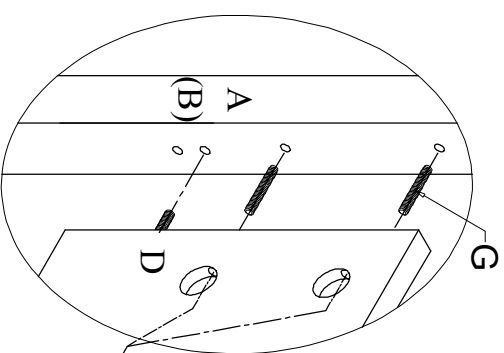
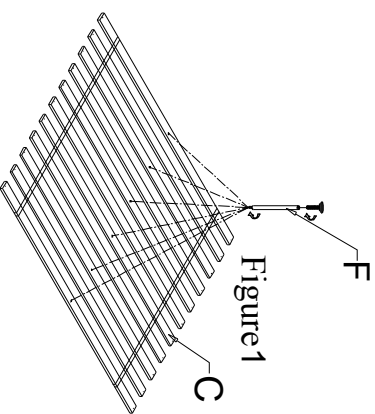


Figure2

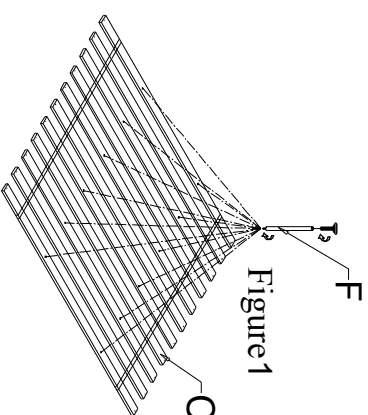
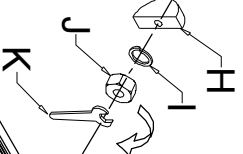


Figure1

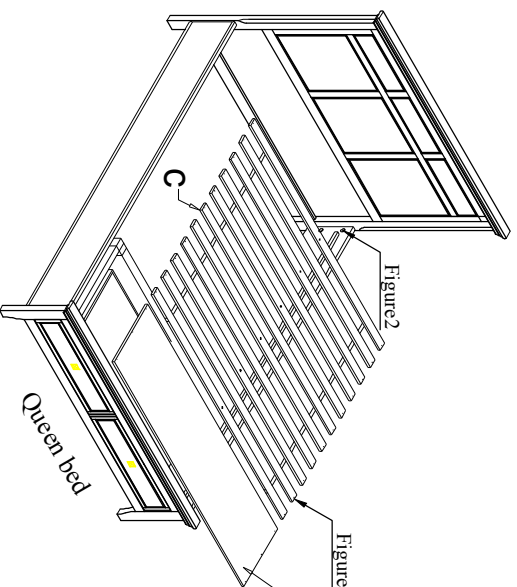


Figure2

Figure3

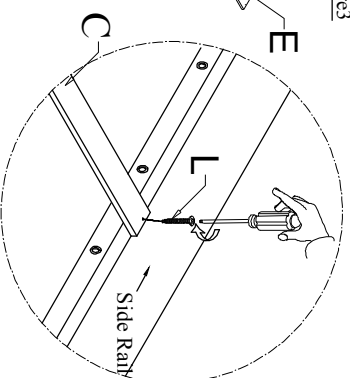


Figure3

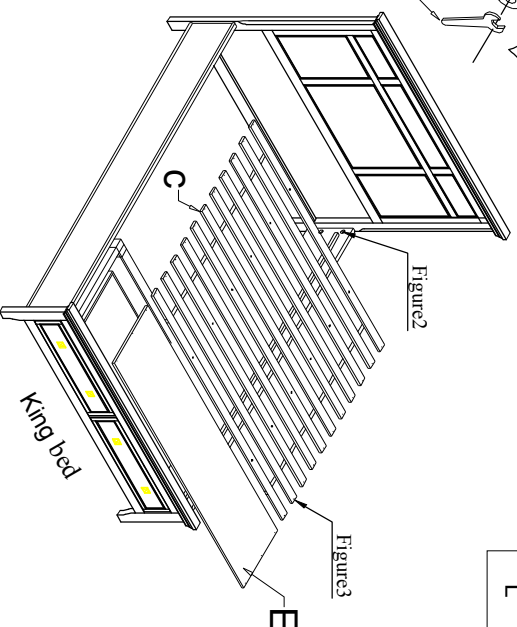


Figure2

Figure3

Queen bed

King bed